

User's manual

16x1 HDMI Switch



Introduction

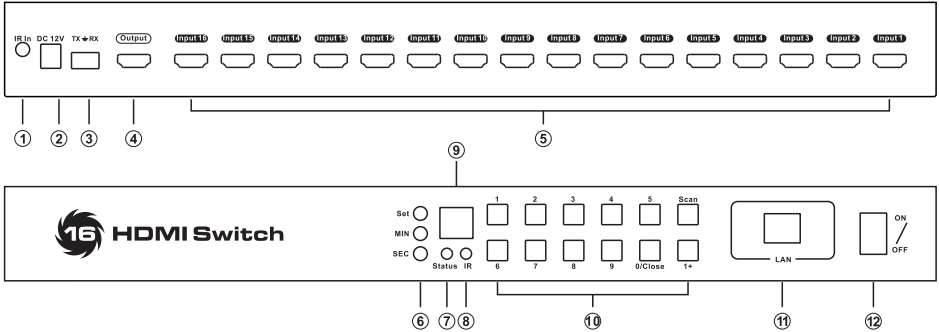
The 16 ports HDMI switch, allows up to 16 Ultra HD sources to be routed to one Ultra HD display. Support resolutions up to 4K (3840 x 2160 @ 30Hz). Deep Color, 3DTV pass-through, and lossless audio formats such as LPCM 7.1, Dolby TrueHD, and DTS-HD Master Audio are also supported. Support automatic input source detection, when attach new input device to the switch, the switch will switch to last plugged in source automatically.

With EDID emulators in every input ports, keep PCs always have correct display information, prevent display settings changed while switching input ports.

Features

- With EDID emulators in every input ports, keep PCs always have correct display information
- Support hot plug, connect or disconnect devices to the HDMI switch in any time and without turn off devices
- Support auto switching to monitor computers in a specified time interval
- Support front panel buttons, IR signals, RS232 serial commands or IP commands to control HDMI switch
- Support resolution up to 3840*2160@30Hz
- Auto input detect and switch
- Supports DVI-D single link sources and displays with the use of HDMI-to-DVI adapters

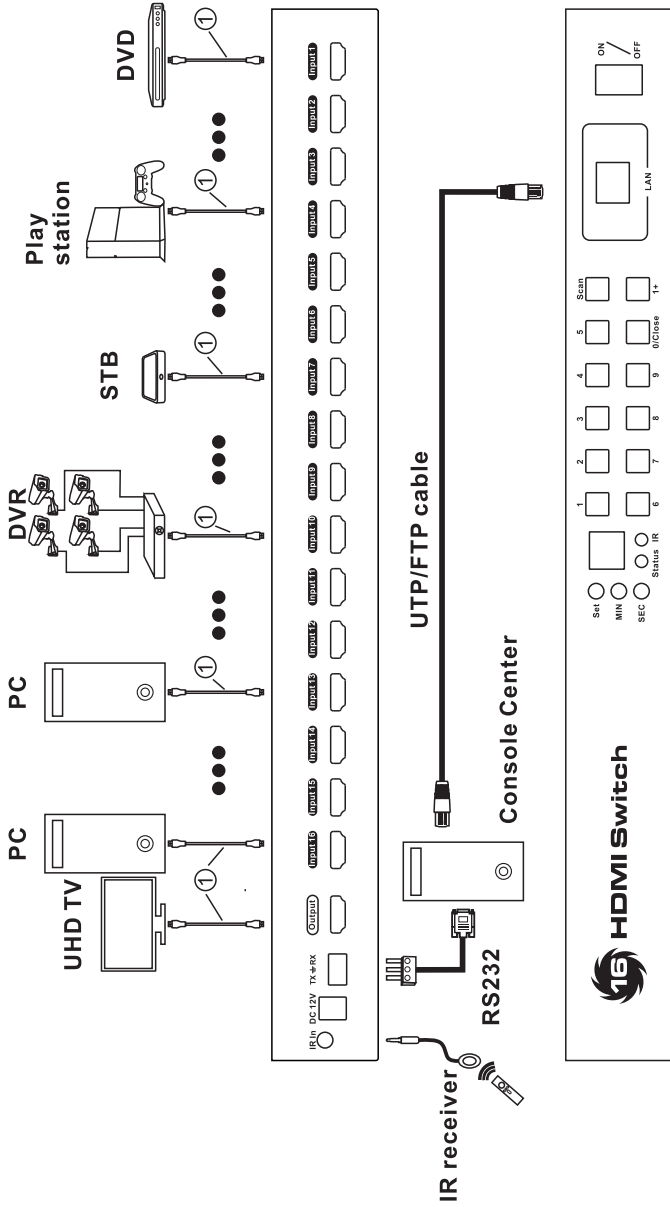
Panel View



ID	Name	Description
1	IR In	Connect IR receiver extension cable to this port, then it is able to use IR control even the 16 ports switch is installed in a rack.
2	DC 12V	Connect the included DC 12V power adapter to this port
3	RS232 port	Connect this port to any control termination, then it is able to select the input sources by sending RS232 commands
4	HDMI output	Connect to HDMI display
5	HDMI input ports	Connect to HDMI source device output ports
6	Auto scan time interval settings	<p>[MIN]: Press button [MIN] to loop between 0~59 minutes.</p> <p>[SEC]: Press button [SEC] to loop between 0~59 seconds.</p> <p>[Set]: After setting minutes and seconds, press button [Set] to enter final scan time interval setting</p>
7	Status LED	<p>Green: Auto scanning mode</p> <p>Red: Normal status</p>
8	IR receiver	Receive IR signal
9	LED display	Display current selected input source number

ID	Name	Description
13	Keypad	<p>[1~9]: Press these buttons to directly select input 1~9 sources.</p> <p>[0/Close]: Press this button directly will turn on or turn off the HDMI output display; Press [1+] then [0/Close] to select input 10</p> <p>[1+]: Press [1+] then [1]~[6] to select input 11~16 sources.</p> <p>[Scan]: Press this button to start or stop automatically scan between input 1 to input 16. The interval time can be set by buttons [Set], [MIN], [SEC] as described above.</p>
14	LAN port	Connect this port to local area network, then it is able to send TCP/IP commands to select input sources
15	Power switch	Turn on or off the power supply of the switch

Connection Diagram



Note: ① HDMI cable

Basic Operation

1. Port selection

1.1 Use front panel keypad

Directly press button [1]~[9] to select input ports 1~9, press [1+] then [0/Close], [1]~[6] to select input ports 10~16.

1.2 Use IR remote control

Press [1/A] then wait around 2 seconds to select input port 1;

Press [2/B], [3/C]~[9/I] directly to select input ports 2~9;

Press [1/A] then [0]~[6/F] within 2 seconds to select input ports 10~16.

2. Turn on/off auto input detection and switch

Press button [M] on remote control to turn on/off the auto input detection.

Auto input detection and switch mode on:

When plug new HDMI input source to the 16 ports switch or power on the HDMI input source, the HDMI switch will automatically select the input port that is connected to this input source.

When unplug or power off the HDMI input source, the 16 ports switch will switch to the input port which is last plug in or last powered on HDMI input source.

Auto input detection and switch mode off:

When plug new HDMI input source to the 16 ports switch or power on the HDMI input source, the HDMI switch would not do anything, also not when unplug or power off HDMI input source.

3. Mute/ unmute buzzer

Press button [≡] on remote control to mute or unmute buzzer.

4. Turn on/off auto scan mode

4.1 Front panel key pad

Press [Scan] button to start auto scanning, then the switch will automatically loop among all the powered on input sources with a specified time interval, press [Scan] again to stop scanning.

4.2 IR remote control

Press [P] button to start auto scanning, then the switch will automatically loop among all the powered on input sources with a specified time interval, press [P] again to stop scanning.

5. Setup time interval of auto scan mode

Press front panel button [MIN] to loop between 0~59 minutes.

Press front panel button [SEC] to loop between 0~59 seconds.

After setting minutes and seconds, press button [Set] to enter final scan time interval setting.

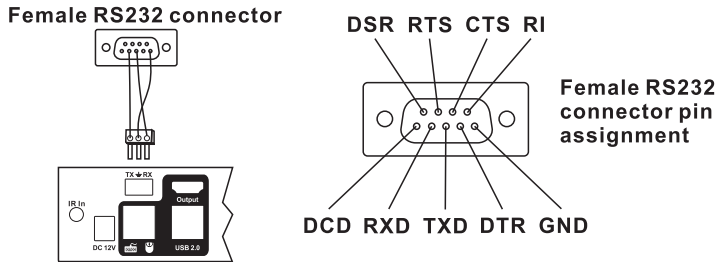
Use of RS232 and LAN port

The RS232 and LAN ports are used for selecting input sources, when you want to switch the input sources by a termination control devices.

For the software application packages or the API document for the RS232 and LAN port please contact with our sales. (Only for windows system)

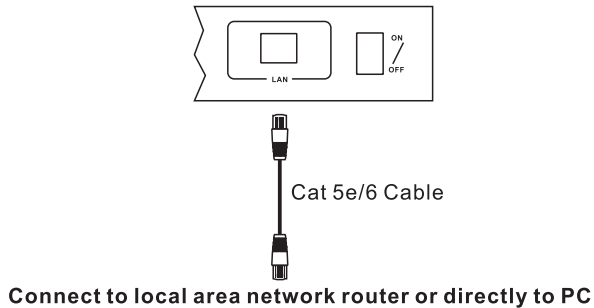
1. Connect RS232 port

Follow below diagram to connect the standard 9 pin RS232 port to the 3 pins connector which is included in package, then plug the connector to the switch 'TX=RX' port.



2. Connect LAN port

Follow below diagram to connect the LAN port to local area network router or directly to PC with Cat5e/6 UTP cable.



Package included:

- 1 * 16x1 HDMI Switch
- 1 * DC 12V Power Adapter
- 1 * IR Remote Control
- 1 * IR Receiver Cable
- 1 * 3 Pins Connector (For RS232)
- 2 * Rack-ears
- 1 * User's manual