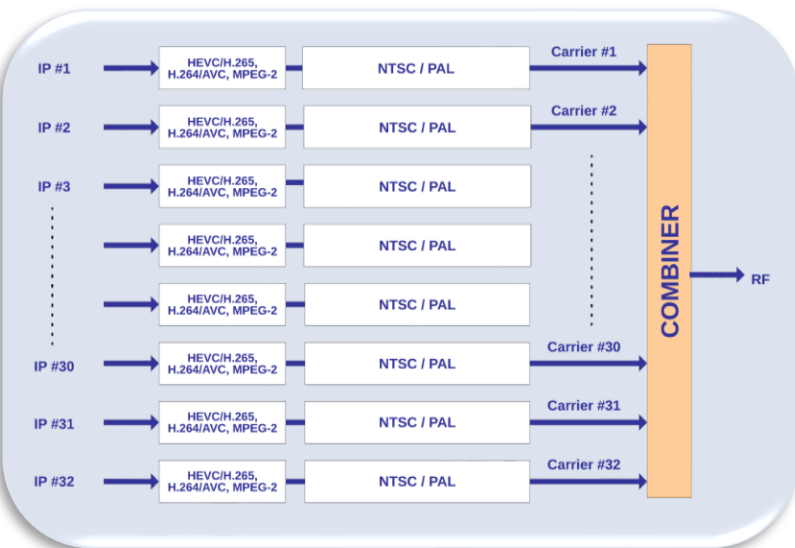


TL-2500C 32-CHANNEL IP TO ANALOG MODULATOR

TL-2500 series modulators are Analog NISTC/PAL analog modulators with IPTV input, and it works as digital IPTV streams to 32 analog channel modulator – gateway. It has two GE ports for content IPTV SPTS / MPTS TS's input that will convert up to 32 programs to standard PAL or NTSC or SECAM TV programs. Each port can handle up to 840 Mbps or 64 IP programs. It supports H.265 HEVC, H.264, and MPEG-2 transport stream encoding formats. The output is 32 programs on adjacent or non-adjacent carriers within a 400 MHz bandwidth.



KEY FEATURES

- 🔥 1U chassis, high density to save shipping cost
- 🔥 Supports OSD (Logo and Caption) insertion for each channel, easy operation
- 🔥 Supports CC/Subtitle/Teletext
- 🔥 Supports BISS De-scrambling
- 🔥 Supports program info modify, multiple audio select
- 🔥 2 GE ports (max 64 IP input over MPTS/SPTS), Max 840Mbps for each GE input
- 🔥 Supports HEVC/H.265, H.264/AVC, MPEG-2 TS Decoding
- 🔥 Processing of up to 32 IP multicast groups of a Gigabit Ethernet MPEG TS into up to 32 standard PAL or NTSC or SECAM TV programs
- 🔥 32 non-adjacent or adjacent carriers output within 400MHz
- 🔥 Supports Web-based Network management

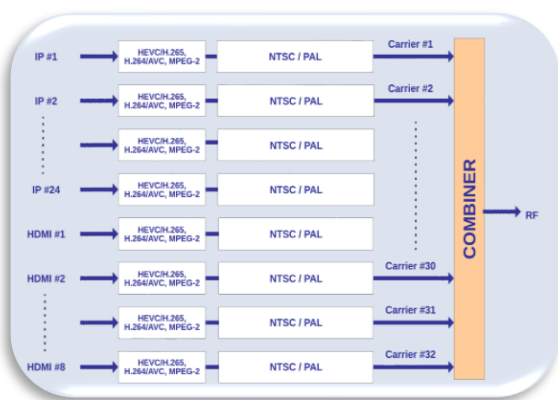


SPECIFICATIONS

Input	
Interface/rate	2 GE ports (max 64 IP input) Max 840Mbps for each GE input
Stream	UDP, UDP / RTP, 1-7 packets (SPTS/MPTS)
Transport Protocol	UDP/RTP, unicast and multicast, IGMP
Packet Length	V2/V3 188 / 204 Bytes
Decoding Parameters	
Video	HEVC/H.265, H.264/AVC, MPEG-2
Audio	MPEG-1/2 Layer 1/2, (HE-)AAC, AC3
Data	CC, Teletext, Subtitles, DVB Subtitling
Resolutions	HEVC/H.265: 1080@60P, 1080@60I, 1080@50P, 1080@50I, 720@60P, 720@50P
	H.264/AVC: 1080@60I, 1080@50P, 1080@50I, 1080@30P, 1080@25P, 720@60P, 720@50P, 576@50I, 480@60I
	MPEG2: 1080@60I, 1080@50I, 720@60P, 720@50P, 576@50I, 480@60I
	Aspect ratio 4:3
Network Interface	
Management	1 x 100 Base-T Ethernet (RJ 45)
Data	2 x 1000 Base-T Ethernet (RJ 45)

Others	
Image resolution output	480i/576i
OSD	Caption: support multiple languages, scrolling direction and speed customized Logo: JPG, BMP, PNG
Output volume adjustment	0 - 100 %
Modulation Parameters	
Number of channels	Up to 32 non-adjacent or adjacent carrier output
Connectors	75Ω, F-jack
Frequency range	43.25 – 951.252MHz
Output Bandwidth	400MHz
Output level	-5 ~ 5dBm (102 ~ 112dBμV)
Return loss	≥ 14dB
Spurious frequency dist.	≥ 60dB
Stereo cross talk	> 55dB
Residual carrier accuracy	1%
TV standard	PAL B/G/D/K/M/N/I, NTSC M, SECAM
Video-signal to noise ratio	≥ 60dB
General	
Dimensions	420mm×440mm×44.5mm (WxLxH)
Temperature	0 ~ 45°C (operation), -20 ~ 80°C (storage)

ORDER GUIDE



Model	Configuration
TL-2500A	4 AV + 28 IP input
TL-2500B	4 HDMI + 28 IP input
TL-2500C	32 IP input
TL-2500D	8 HDMI + 24 IP input
TL-2500E	4 AV + 24 IP input

