

TL-9542A 4-Channel ATSC/QAM ENCODER MODULATOR

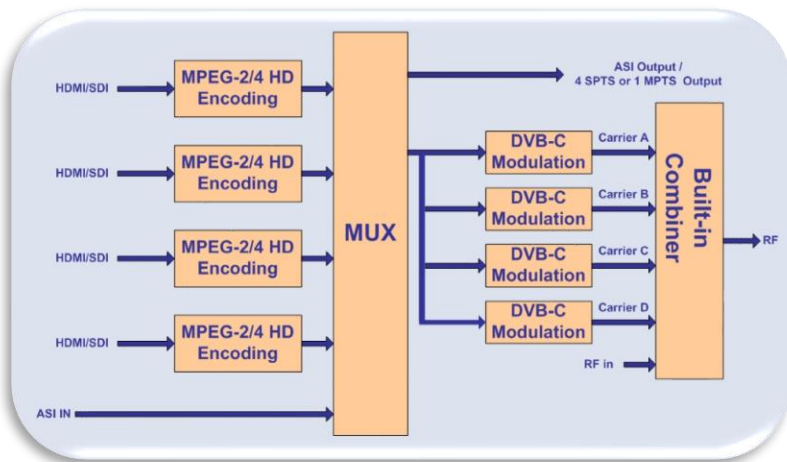
TL-9542A series products are all-in-one devices which integrate encoding (MPEG-2 HD/SD, MPEG-4/AVC H.264 HD/SD) and modulation to convert V/A signals into Digital RF output. It is equipped with 4 HDMI (4 SDI optional) channels input and 1 ASI input and output with 2 ASI ports and 1 IP (4*SPTS or 1 MPTS) output over UDP, RTP/RTSP through data port.

It adopts inner drawer-type structural design which greatly facilitates the change of encoding modules (HDMI/SDI /...) as needed. The signals source could be from satellite receivers, closed-circuit television cameras, Blue-ray players, and antenna etc. Its output signals are to be received by DVB-C TVs or STBs,



KEY FEATURES

- 🔥 MPEG2 & MPEG4 AVC/H.264 HD/SD video encoding
- 🔥 Huge video buffer (for SDI interface), free to switch video sources
- 🔥 MPEG1 Layer II, MPEG2-AAC, MPEG4-AAC, AC3 2.0 (optional) audio encoding
- 🔥 Up to 1920*1080@50P/60P (MPEG4 AVC/H.264)
Up to 1920*1080@50I/60I (MPEG2 HD)
- 🔥 4*HDMI/SDI input
- 🔥 1*ASI input for re-mux; 1*RF input for mix
- 🔥 Support CC (closed caption) for SDI interface (Optional)
- 🔥 Simultaneously encodes each channel more than 10Mbps
- 🔥 DVB-C/DVB-T/ATSC-T/ISDB-T RF out
- 🔥 Support EAS control for DVB-C and ATSC--Optional
- 🔥 Support IP (4 * SPTS or 1 MPTS) output over UDP, RTP/RTSP protocol
- 🔥 Extremely low latency and LCN support
- 🔥 Excellent modulation quality MER≥42dB
- 🔥 RF Frequency range 30Mhz~960Mhz



Encoding Section - Video

Encoding Input	MPEG2, MPEG4 AVC/H.264 HDMI*4 (or SDI*4)
Resolution	1920*1080_60P, 1920*1080_50P, (For MPEG4 AVC/H.264 only) 1920*1080_60i, 1920*1080_50i, 1280*720_60p, 1280*720_50P 720*480_60i, 720*576_50i

Encoding Section - Audio

Encoding	MPEG1 Layer II, MPEG2-AAC, MPEG4-AAC, AC3 2.0 (optional)
Sample rate	48KHz
Bit rate	64kbps, 96kbps, 128kbps, 192kbps, 256kbps, 320kbps
Functions	PID re-mapping PCR accurate adjusting PSI/SI table automatically generating

Modulator Section – DVB-T

Standard	EN300744
Bandwidth	6M, 7M, 8M
Constellation	QPSK, 16QAM, 64QAM,
Code rate	1/2, 2/3, 3/4, 5/6, 7/8.
Guard Interval	1/32, 1/16, 1/8, 1/4
Transmission Mode:	2K, 8K
MER	≥42dB
RF frequency	30 ~ 960MHz, 1KHz step
RF Out	2 carriers combined output; COFDM DVB-T out
RF output level	-30 ~ -10dbm (77 ~ 97 dbμV), 0.1db step

Modulator Section – ISDB-T

Standard	ARIB STD-B31
Bandwidth	6M
Constellation	DQPSK, QPSK, 16QAM, 64QAM
Guard Interval	1/32, 1/16, 1/8, 1/4
Transmission Mode	2K, 4K, 8K
MER	≥42dB
RF frequency	1/2 carriers combined output; 30 ~ 960MHz, 1KHz step
RF output level	-30 ~ -10dbm (77~97 dbμV), 0.1db step

Modulator Section – DVB-C

Standard	J.83A, J.83B, J.83C
MER	≥42dB
RF frequency	4 carriers combined output; 30 ~ 960MHz, 1KHz step
RF output level	-30 ~ -10dbm (77 ~ 97 dbμV), 0.1db step
Symbol rate	5.000 ~ 9.000MSPS adjustable
J.83A	
Constellation bandwidth	16/32/64/128/256QAM 8M
J.83B	
Constellation bandwidth	64QAM/ 256QAM 6M
J.83C	
Constellation bandwidth	64QAM/ 256QAM 6M

Modulator Section – ATSC

Standard	ATSC A/53
MER	≥42dB
RF frequency	4 carriers combined output; 30 ~ 960MHz, 1KHz step
RF output level	-26 ~ -10dbm (81~97dbμV), 0.1db step
Constellation	8VSB

General

Power supply	AC 100V~240V
Dimensions	420*400*44mm
Weight	4.5 kgs
Operation temperature	0 ~ 45°C

System

Local interface	LCD + control buttons
Remote management	Web NMS
Output	ASI out (BNC type); 1 IP (4*SPTS or 1 MPTS) out over DUP, RTP/RTSP (RJ45, 100M)
NMS interface	RJ45, 100M
Language	English
Local interface	LCD + control buttons

