

## Introduction

This WolfPack 4K 60 Hz 8x8 HDMI Matrix Switch w/HDR, Separate EDID & Audio, & Apps is a new fixed 4K60Hz HDMI matrix switcher with 8 HDMI input ports with 8\* 3.5mm audio in and 8 HDMI output ports with 8\* 3.5mm audio outs, the resolution can up to 4K60Hz and all ports are HDCP compliant. With the friendly user control methods: IR remote control, 2-key push front buttons with background blue light, WEB GUI, TCP/IP, RS232,UDP and the iOS/Android APP control, supports EDID management by the DIP switches, this matrix switcher can work with the Blu-Ray Players, Set-Top boxes, Home Theater, and game consoles etc HDMI input sources to route to the HDMI displays, it has been widely used in different audio visual applications.

## Features


- 8 HDMI inputs with 8 audio in and 8 HDMI outputs with 8 audio outs
- Supports HDMI2.0, HDCP compliant
- The resolution can up to 4K@60Hz
- Deep Color support 48/36/30/24-bit
- Supports LPCM 7.1CH, Dolby Digital and DTS-HD Master Audio
- Supports EDID management by DIP switch
- Supports RS-232, UPD(4000) and TCP/IP(5000) Control protocols
- Supports 2-press push buttons control with blue lights
- Supports WEB GUI, APP, RS232, push-button, IR remote controls

## Specification

Description	8x8 HDMI 2.0 matrix switcher with audio
Input	8*HDMI,8*3.5mm audio, 2*RS232, 2*LAN
Input	8*HDMI, 8*3.5mm audio
Control ports	RS-232, UPD(4000) and TCP/IP(5000) Control protocols
Resolution	480i, 576i, 480p, 576p, 720p, 1080i, 1080p@24/30/50/60Hz, 4K@30Hz, 4K@60Hz
Color Space	Support RGB444, YUV444, YUV422 , x.v.C standard color extension

<b>Control</b>	iOS/Android Apps, WEB GUI, RS232 & Front buttons with background light
<b>Power</b>	AC: 100V—240V 50/60Hz
<b>Consumption</b>	17W
<b>Dimension</b>	1.5U, 482*280*67(mm)
<b>Weight</b>	6kg
<b>Work Temperature</b>	0°C ~40°C
<b>Storage Temperature</b>	-20°C ~55°C

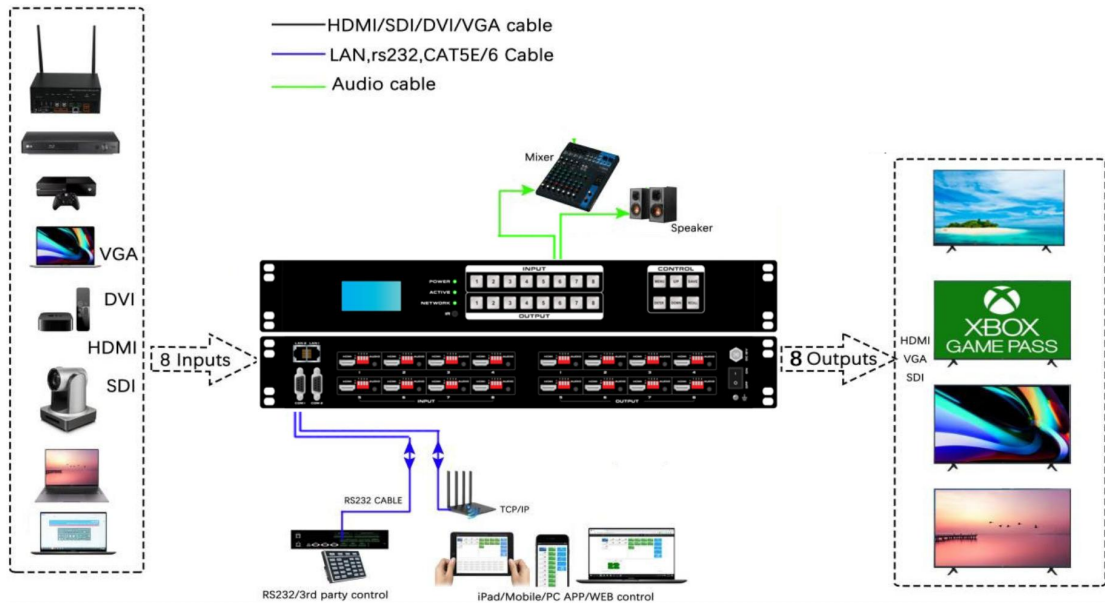
### DIP switch for inputs:

EDID management				Audio	
D1	D2	D3	Function	D4	Function
1	1	1	4k60	1	3.5MM
1	0	0	1080P2.1	0	HDMI
1	0	1	HDMI-1200		
0	1	1	1440*900		
0	0	1	DVI-1080		
0	1	0	DVI-1200		
1	1	0	4k2.1		
0	0	0	External EDID		

### DIP switch for outputs:

Resolution Scaling			No functions	
D1	D2	Function	D3	D4
0	0	Resolution bypass	No functions	
0	1	Force the 4K30/50/60 resolution to 1080P30/50/60		
1	0	Force 4K50/60 420 resolution to 4K50/60 444		
1	1	Resolution bypass		

### Connection diagram



**Matrix Size Drawing(484\*67\*280)mm(L\*H\*D)**

