



Introduction

This is a 9x1 HDMI Multi-viewer is a high performance with nine HD screen segmentation and seamless switching output switch. It can display 9 HD digital video signal on the same screen, and has a variety of video segmentation, seamless switching 9 HD input signal synchronously. The control methods of the switch is flexible, it can be switched via button and IR control. It's a very practical and stable switch and easy to install, can be used in the major projects, meeting halls and other places.

Features

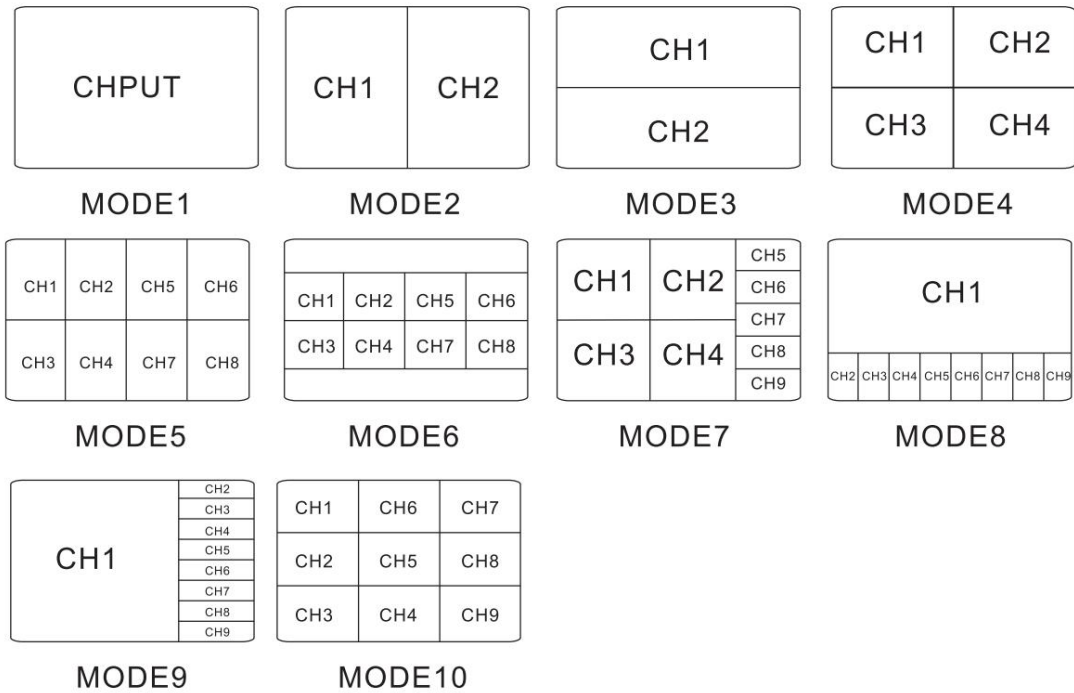
- Support 9 HDMI inputs, one HDMI output
- Support 9 HDMI signal screen segmentation
- Support 9 HDMI signal seamless switching
- Support IR remote control
- Compatible HDMI 1.4, HDCP 1.4, and DVI 1.0 version
- Support audio and video superposition

Specification

HDMI inputs	1080P 720P 1080I 1024X768 1366X768 ,, , , etc
HDMI output	1080P60Hz
HDMI cables distance	≤15M AWG62 standard HDMI cable
Power	DC 12V/ 5W

Working modes:

WolfPack 1080p 9x1 HDMI Multiviewer with 10-Display Modes



MODE 1: Full screen (IN 1-9 seamless switching mode)

MODE 2&MODE 3: Two screen display mode (9 modes separately)

MODE 4: Four screen display mode (2 kinds display)

MODE 5&MODE 6: Eight screen display method

MODE 7: Four big screen, Five small screen(2 kinds display)

MODE 8 &MODE 9: One big and eight small

MODE 10: nine screen display mode

Connections:

