



## BRIDGE LIVE

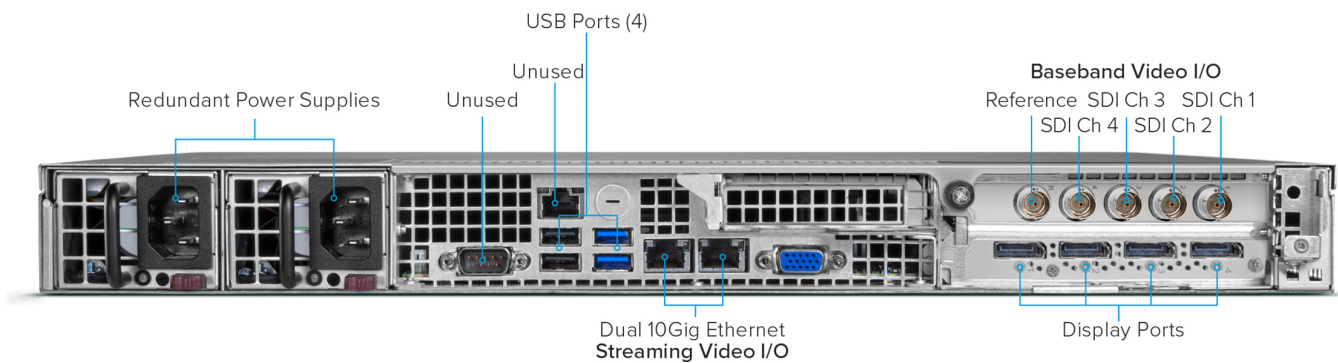
BRIDGE LIVE 12G-4 and BRIDGE LIVE 3G-8 are the broadcast quality, low-latency turnkey systems for REMI, Synchronous Multi-Channel Video Contribution, Remote Collaboration, Direct to Audience Streaming, and Multi Bit Rate/ Multi Format Delivery.

BRIDGE LIVE 12G-4 and BRIDGE LIVE 3G-8 were developed as a collaboration between AJA and Comprimato to deliver the performance, reliability, and ease of use necessary for critical live encode, decode, or transcode needs. Equipped with 4x 12G-SDI I/O or 8x 3G SDI I/O plus the power and flexibility to enable real time bidirectional encoding, decoding, and transcoding for critical UltraHD and HD workflows, BRIDGE LIVE is the essential part of any modern live video production toolkit. A compact and robust 1RU form factor with redundant power supplies and up to a five year warranty means peace of mind even when dealing with the most demanding applications.

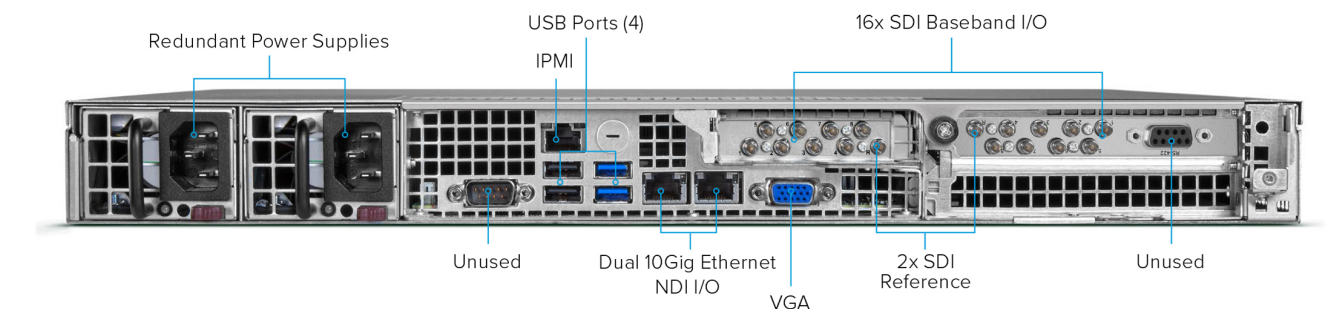
<https://www.aja.com/products/bridge-live>

**\$17,999 BRIDGE LIVE  
12G-4, \$18,999  
BRIDGE LIVE 3G-8 US  
MSRP**

### BRIDGE LIVE 12G-4



### BRIDGE LIVE 3G-8



## BRIDGE LIVE & BRIDGE LIVE 12G-4 SDI Video Formats

- (UltraHD) 3840x2160p 23.98, 24, 25, 29.97, 30, 50, 59.94, 60
- (2K) 2048x1080p 23.98, 24, 25, 29.97, 30, 47.95, 48, 50, 59.94, 60
- (HD) 1080p 23.98, 24, 25, 29.97, 30, 50, 59.94, 60
- (HD) 1080i 50, 59.94, 60
- (HD) 720p 50, 59.94, 60
- (SD) 625i 50
- (SD) 525i 59.94
- 12G-SDI, SMPTE ST 2082, 10-bit
- 6G-SDI\*, SMPTE ST 2081, 10-bit
- 3G-SDI, SMPTE ST 424, 10-bit
- 1.5G-SDI, SMPTE ST 292M, 10-bit
- 270 Mbit/s SDI, SMPTE ST 259M-C, 10-bit

\*Only Ultra-HD 2160-line single link is supported, as defined in SMPTE ST 2081-1 and SMPTE ST 2081-10

## BRIDGE LIVE 3G-8 SDI Video Formats

- (HD) 1080p 23.98, 24, 25, 29.97, 30, 50, 59.94, 60
- (HD) 1080i 50, 59.94, 60
- (HD) 720p 50, 59.94, 60
- (SD) 625i 50
- (SD) 525i 59.94
- 3G-SDI, SMPTE ST 424, 10-bit
- 1.5G-SDI, SMPTE ST 292M, 10-bit
- 270 Mbit/s SDI, SMPTE ST 259M-C, 10-bit

## Video Color Component Sampling

- SDI
  - YCbCr, 4:2:2, 10-bit
- Transport Streams
  - YCbCr, 4:2:2, 10-bit/8-bit
  - YCbCr, 4:2:0, 10-bit/8-bit
- NDI
  - P216, 4:2:2, 16-bit
  - UYVY, 4:2:2, 8-bit

## Video Codecs

- H.264 (AVC, MPEG-4)
- H.265 (HEVC)
- JPEG 2000 (VSF TR-01)
- H.262 (MPEG-2)
- NDI
- JPEG XS (VSF TR-07)

## Audio Streams/Codecs

- AAC-LC (ADTS, LATM)
- AAC-HE (ADTS, LATM)
- AAC-HE v1 & v2 (ADTS, LATM)
- AC3
- E-AC3 (input)
- Dolby E pass-through
- MPEG-2 Audio
- NDI (uncompressed float)
- Uncompressed PCM multi-channel (SMPTE ST 302M-2007)

## Metadata

- MPEG-2 ancillary packet support (SMPTE ST 2038)
- HDR over SDI end-to-end via VPID signaling for SDR/HDR Transfer Characteristics, Colorimetry, and Luminance

- Closed Captioning (EIA-608/708)
- Line 21 Captions
- Metadata pass-through
- SCTE-35, SCTE-104
- Subtitles embedded within H.264 SEI messages
- Timecode embedded within HEVC and H.264 SEI messages
- Electronic program guide (EPG) on input

## Containers and Protocols

- HLS (input)
  - AVC TS segments
  - Fragmented MP4
- HLS (output)
  - AVC TS segments
- MPEG-TS
- MPTS (input)
- RTMP
- RTMPS (output)
- RTP, UDP
- SRT (including encryption)
- VSF TR-01
- VSF TR-07

## Video Processing

- Auto Color Component Sampling based on I/O settings
- Cropping / Padding
- Color adjustments
- Deinterlacing
- Frame rate 50% down-conversion (60p->30p, 59.94->29.97, 50p->25p)
- Frame rate up-conversion (50i->50p)
- Logo insertion
- Resizing

## Audio Processing

- Channel Remapping
- Gain
- Sample Rate conversion
- Up/Down-mixing (e.g., 5.1 to stereo and vice versa)

## Synchronization

- Input PCR
  - Global configuration (in separate transport stream)
  - Local configuration (in each transport stream)
- Output PTS
  - Pass-through
  - Add offset to input PTS
- NTP
  - Encoder Synchronous Multi-Channel Transport
- PCR
  - Decoder Synchronous Multi-Channel Transport

## Audio Input Digital

- 16-channel, 16 and 24-bit SDI embedded audio, 48 kHz sample rate, synchronous per SDI connection

## Audio Output Digital

- 16-channel, 16 and 24-bit SDI embedded audio, 48 kHz sample rate, synchronous per SDI connection

## Configuration and Monitoring

- Local "Kiosk" interface (keyboard, mouse, and monitor)

- Remote access via Browser
- REST API
- SNMP

## BRIDGE LIVE & BRIDGE LIVE 12G-4 Form Factor

---

- 1RU turnkey system
- 4x full-size BNC (12G/6G/3G/1.5G-SDI compatible)
- 2x 10 GigE
- Local interface via Display Port and USB
- OS custom image
- Update and license via download

## BRIDGE LIVE 3G-8 Form Factor

---

- 1RU turnkey system
- 8x Din 1.0/2.3 (3G-SDI compatible)
- 2x 10 GigE RJ-45
- Local interface via Display Port and USB
- OS custom image
- Update and license via download

## Size (w x d x h)

---

- 17.2" x 16.9" x 1.7" (436.88 x 429.26 x 43.18 mm)

## Weight

---

- 28 lb. (12.7kg) in box
- 18 lb. (8.2kg) server only

## Power

---

- 100-240 VAC 50/60 Hz (Dual, redundant power supplies)
- 190W typical, 245W Maximum

## Environment

---

- Safe Operating Temperature: 5 to 35 C (41 to 95 F)
- Safe Storage Temperature (Power OFF): -40 to 60 C (-40 to 140 F)
- Operating Relative Humidity: 8-90% noncondensing
- Nonoperating Relative Humidity: 5-95% noncondensing