



## Introduction

The Atлона **AT-DISP-CTRL** is a compact display controller, designed for small meeting spaces and huddle rooms. The DISP-CTRL detects connection of a source device with an active signal, and then automatically sends a control command to power up a display. Similarly, when the device is disconnected, the DISP-CTRL delivers a command to power down the display. The DISP-CTRL can be configured to deliver pre-stored or user-programmed display control commands through TCP/IP, RS-232, IR, or CEC. Additionally, this controller includes EDID and HDCP management features, and can be powered locally or through Power over Ethernet (PoE). The DISP-CTRL is HDCP 2.2 compliant and supports 4K/UHD video @ 60 Hz with 4:4:4 chroma sampling, as well as HDMI data rates up to 18 Gbps.

## Applications

- Huddle rooms and open meeting spaces**  
 The DISP-CTRL provides a simple automation solution for BYOD connectivity in any gathering area with a display installed, but no other AV equipment.
- AV system upgrades**  
 The DISP-CTRL is ideal as an easy problem-solver for existing or legacy AV installations to provide automatic display control capabilities, without the need for a dedicated control system.

## Key Features

### Simple, automated display control

- Automatically changes display power state based on HDMI device connection or disconnection. Control signals to display are transmitted via IP, RS-232, IR, or CEC.
- Enables display, volume control, and input selection. Avoids the need for a handheld remote control which may be misplaced or non-functional.

### Programmable display control modes

- A display can be powered off after a specified period of inactivity (no video signal detected), or after a device has been disconnected.
- Adjustable lamp cooldown mode also available to avoid prematurely powering up a projector after shutdown.

### 4K/UHD capability @ 60 Hz with 4:4:4 chroma sampling, plus support for HDR formats

- Ideal for new and emerging 4K/UHD and HDR-capable sources and displays. Compatible with 4K HDR10 and Dolby® Vision™ @ 60 Hz.
- Fully supports video resolutions, audio formats, and color space formats in the HDMI 2.0b specification.

### HDMI input and pass-through ports with locking terminals

- Ideal for Atлона LinkConnect™ cables with locking HDMI connectors.
- Ensures fully secure cable connections and failsafe image display.

### Local or PoE (Power over Ethernet) powering

- Industry standard IEEE 802.3af PoE can be supplied by a network switch or PoE injector. A power supply is also included.
- PoE allows convenient installation at a table or any other location, without the need for local AC power.

### Intuitive GUI-based configuration using integrated web server

- Offers menu-based configuration of device settings, display device driver selection, and the ability to program control commands.
- Comprehensive selection of display drivers from the Velocity™ Control System driver database.

### Dual Ethernet ports and integrated network switch

- Allows connection to a display for IP control, plus a LAN or direct web GUI access.
- Built-in network switch simplifies system integration and operation.

### Award-winning 10 year limited product warranty

- Ensures long-term product reliability and performance in commercial and residential systems.
- Specify, purchase, and install with confidence.

## Specifications

Video	
HDMI	HDMI 2.0, HDCP 2.2
UHD/HD/SD	4096x2160 @ 60/30/25/24 Hz 3840x2160 @ 60/30/25/24 Hz 1920x1080p @ 60/59.9/50/30/29.97/25/24/23.98 Hz 1920x1080i @ 60/59.94/50 Hz 1280x720p @ 60/59.94/50 Hz 720x576p @ 50 Hz 720x576i @ 50 Hz 640x480p @ 60/59.96 Hz 640x480i @ 60 Hz
VESA	2560x1600 @ 60 Hz 2048x1536 @ 60 Hz 1920x1200 @ 60 Hz 1680x1050 @ 60 Hz 1600x1200 @ 60 Hz 1440x900 @ 60 Hz 1400x1050 @ 60 Hz 1280x1024 @ 60 Hz 1280x800 @ 60 Hz 1366x768 @ 60 Hz 1360x768 @ 60 Hz 1152x864 @ 60 Hz 1024x768 @ 60 Hz 800x600 @ 60 Hz 640x480 @ 60 Hz
Color Space	YUV, RGB
Chroma Subsampling	4:4:4, 4:2:2, 4:2:0
Color Depth	8-bit, 10-bit, 12-bit
HDR	HDR10, Hybrid-Log Gamma (HLG), and Dolby® Vision™ @ 60Hz

Audio	
Pass-Through Formats	PCM 2.0 LPCM 5.1 LPCM 7.1 Dolby® Digital Dolby Digital Plus™ Dolby TrueHD Dolby Atmos® DTS® Digital Surround™ DTS-HD Master Audio™ DTS:X®
Sample Rate	32 kHz, 44.1 kHz, 48 kHz, 88.2 kHz, 96 kHz, 176.4 kHz, 192 kHz
Bit Rate	24 Mbps max

Protocols	
Supported	HTTP, Telnet
Addressing	DHCP, static

Control	
RS-232	Device control and configuration; supports baud rates from 2400 to 115200
IP	Device control and configuration
IR	Device control and configuration
CEC	Device control and configuration

Connectors	
HDMI IN	1 - Type A, 19-pin female
HDMI OUT	1 - Type A, 19-pin female
LAN <sup>(1)</sup>	2 - RJ45, 10/100/1000 Mbps
RS-232	1 - 3-pin captive screw (bidirectional)
IR OUT	1 - 3.5 mm, unbalanced 2-channel
DC 5V	1 - mini USB

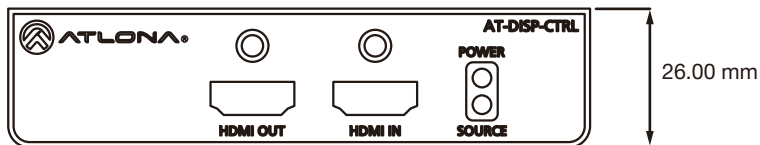
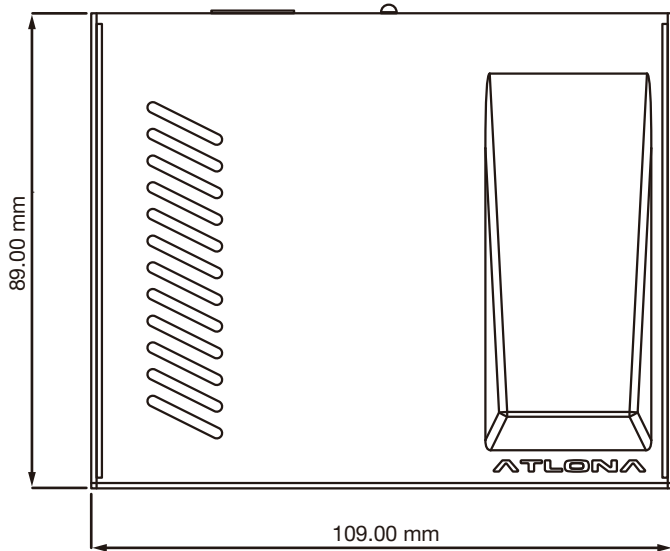
Controls and Indicators				
IP MODE, RESET	2 - momentary, tact-type			
PWR indicator	1 - LED, green			
LINK indicator	1 - LED, yellow			
Resolution / Distance		4K/UHD - Feet / Meters		1080p - Feet / Meters
HDMI IN/OUT	15	5	30	10
Signal				
Maximum TMDS Clock	600 MHz			
Power				
PoE	IEEE 802.3af			
Total power consumption	5.3 W			
External Power (optional)	5 V, 500 mA (USB)			
Environmental				
Operating Temperature	+32 to +122 °F 0 to +50 °C			
Storage Temperature	-4 to +140 °F -20 to +60 °C			
Operating Humidity (RH)	20% to 95%, non-condensing			
Chassis				
Dimensions (H x W x D)	1.02 in x 4.29 in x 3.50 in 26 mm x 109 mm x 89 mm			
Weight	0.65 lbs 0.30 kg			
Safety	CE, FCC, RoHS			

(1) Maximum distance per hop 330 ft (100 m), depending upon network configuration.

## Accessories

Description	SKU
LinkConnect HDMI to HDMI Cable	AT-LC-H2H-1M / 2M / 3M
LinkConnect Mini DisplayPort to HDMI Cable	AT-LC-MDP2H-1M / 2M / 3M

## Drawings



## Copyright, Trademark, and Registration

© 2025 Atлона Inc. All rights reserved. "Atлона" and the Atлона logo are registered trademarks of Atлона Inc. Pricing, specifications and availability subject to change without notice. Actual products, product images, and online product images may vary from images shown here.



The terms HDMI, HDMI High-Definition Multimedia Interface, and the HDMI Logo are trademarks or registered trademarks of HDMI licensing Administrator, Inc.



Dolby, Dolby Atmos, and the double-D symbol are registered trademarks of Dolby Laboratories Licensing Corporation.



For DTS patents, see <http://patents.dts.com>. Manufactured under license from DTS, Inc. DTS, the Symbol, DTS and the Symbol together, and Digital Surround are registered trademarks and/or trademarks of DTS, Inc. in the United States and/or other countries. © DTS, Inc. All Rights Reserved.

All other trademark(s), copyright(s), and registered technologies mentioned in this document are the properties of their respective owner(s).