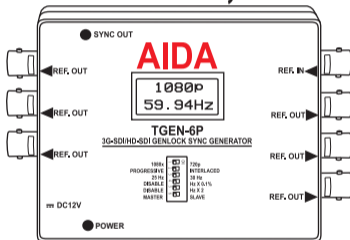


AIDA

GENLOCK Reference Sync Generator



TGEN-6P

Operation Guide

Ver. 1.0 / Feb 2017

**CAUTION**

RISK OF ELECTRIC SHOCK.
DO NOT OPEN.

**CAUTION:**

TO REDUCE THE RISK OF ELECTRIC SHOCK, DO NOT REMOVE COVER (OR BACK) NO USER SERVICEABLE PARTS INSIDE. REFER SERVICING TO QUALIFIED SERVICE PERSONNEL.

**Warning**

This symbol indicates that dangerous voltage consisting a risk of electric shock is present within this unit.

**Precaution**

This exclamation point symbol is intended to alert the user to the presence of important operating and maintenance (servicing) instructions in the literature accompanying the appliance.

Warning

To prevent damage which may result in fire or electric shock hazard, do not expose this appliance to rain or moisture.

1. Be sure to use only the standard adapter that is specified in the specification sheet. Using any other adapter could cause fire, electrical shock, or damage to the product.
2. Incorrectly connecting the power supply or replacing battery may cause explosion, fire, electric shock, or damage to the product.
3. Securely plug the power cord into the power receptacle. Insecure connection may cause fire.
4. Do not place conductive objects (e.g. screw drivers, coins, metal items, etc.) or containers filled with water on top of the converter. Doing so may cause personal injury due to fire, electric shock, or falling objects.

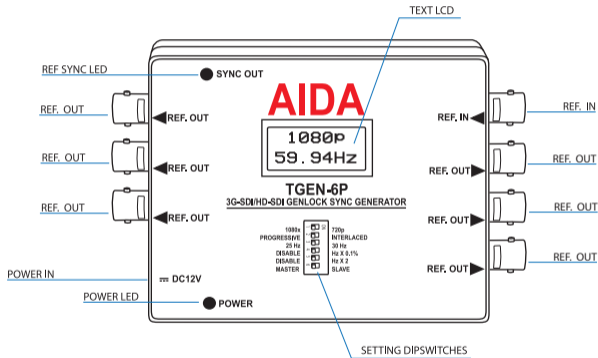
5. Do not install the unit in humid, dusty, or sooty locations. Doing so may cause fire or electric shock.
6. If any unusual smells or smoke come from the unit, stop using the product. Immediately disconnect the power source and contact the service center. Continued use in such a condition may cause fire or electric shock.
7. If this product fails to operate normally, contact the nearest service center. Never disassemble or modify this product in any way.
8. When cleaning, do not spray water directly onto parts of the product. Doing so may cause fire or electric shock.

Precaution

Please read this Operation Guide before installing and using the device & retain this copy for your reference.

1. Always follow the instructions in the operation guide when applying power. Fire and equipment damage can occur if power is applied incorrectly. For the correct power supply, refer to the specifications page.
2. Do not use the device if fumes, smoke or a strange odor is emitted from the device, or if it seems not functional correctly. Disconnect the power source immediately and consult with your supplier.
3. Do not use the device in extreme environments where high temperatures or high humidity exists. Use the device under conditions where temperatures are between 32°F ~ 104°F, and humidity is below 90%.
4. To prevent damage, do not drop the converter or subject it to strong shock or vibration.

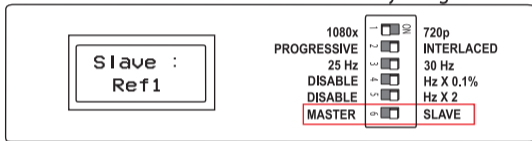
TGEN-6P



- Multi format HD Tri Level Sync up to 1080p60
- Both V Sync and H Sync generation for more accurate timing
- Up to 6 synchronized reference output per device
- Slave mode for cascading
- Built in LCD screen
- Built in setting dipswitches
- Versatile, compact, and rugged design.

• SLAVE Mode

When switch 6 is set to SLAVE, TGEN-6P will go to SLAVE mode. External reference input will be the main reference sync source. TGEN-60 will distribute external reference sync signal.



• MASTER Mode

When switch 6 is set to MASTER, TGEN-6P will generate reference signals set by the dipswitches.

TGEN-6P supports 15 different HD formats.

720p: 60 / 59.94 / 50 / 30 / 29.97 / 25

1080i: 60 / 59.94 / 50

1080p: 60 / 59.94 / 50 / 30 / 29.97 / 25

720p Setting

**720p
25Hz**

1080x
PROGRESSIVE
25 Hz
DISABLE
DISABLE
MASTER

1 NO
2
3
4
5
6

720p
INTERLACED
30 Hz
Hz X 0.1%
Hz X 2
SLAVE

**720p
50Hz**

1080x
PROGRESSIVE
25 Hz
DISABLE
DISABLE
MASTER

1 NO
2
3
4
5
6

720p
INTERLACED
30 Hz
Hz X 0.1%
Hz X 2
SLAVE

**720p
29.97Hz**

1080x
PROGRESSIVE
25 Hz
DISABLE
DISABLE
MASTER

1 NO
2
3
4
5
6

720p
INTERLACED
30 Hz
Hz X 0.1%
Hz X 2
SLAVE

**720p
59.94Hz**

1080x
PROGRESSIVE
25 Hz
DISABLE
DISABLE
MASTER

1 NO
2
3
4
5
6

720p
INTERLACED
30 Hz
Hz X 0.1%
Hz X 2
SLAVE

**720p
30Hz**

1080x
PROGRESSIVE
25 Hz
DISABLE
DISABLE
MASTER

1 NO
2
3
4
5
6

720p
INTERLACED
30 Hz
Hz X 0.1%
Hz X 2
SLAVE

**720p
60Hz**

1080x
PROGRESSIVE
25 Hz
DISABLE
DISABLE
MASTER

1 NO
2
3
4
5
6

720p
INTERLACED
30 Hz
Hz X 0.1%
Hz X 2
SLAVE

1080i Setting

1080i 50Hz	1080x	<input type="checkbox"/>	NO	720p
	PROGRESSIVE	<input type="checkbox"/>		INTERLACED
	25 Hz	<input type="checkbox"/>		30 Hz
	DISABLE	<input type="checkbox"/>		Hz X 0.1%
	DISABLE	<input type="checkbox"/>		Hz X 2
	MASTER	<input type="checkbox"/>		SLAVE

1080i 59.94Hz	1080x	<input type="checkbox"/>	NO	720p
	PROGRESSIVE	<input type="checkbox"/>		INTERLACED
	25 Hz	<input type="checkbox"/>		30 Hz
	DISABLE	<input type="checkbox"/>		Hz X 0.1%
	DISABLE	<input type="checkbox"/>		Hz X 2
	MASTER	<input type="checkbox"/>		SLAVE

1080i 60Hz	1080x	<input type="checkbox"/>	NO	720p
	PROGRESSIVE	<input type="checkbox"/>		INTERLACED
	25 Hz	<input type="checkbox"/>		30 Hz
	DISABLE	<input type="checkbox"/>		Hz X 0.1%
	DISABLE	<input type="checkbox"/>		Hz X 2
	MASTER	<input type="checkbox"/>		SLAVE

1080p Setting

10800P
25Hz

1080x
PROGRESSIVE
25 Hz
DISABLE
DISABLE
MASTER

1 2 3 4 5 6 NO

720p
INTERLACED
30 Hz
Hz X 0.1%
Hz X 2
SLAVE

1080P
50Hz

1080x
PROGRESSIVE
25 Hz
DISABLE
DISABLE
MASTER

1 2 3 4 5 6 NO

720p
INTERLACED
30 Hz
Hz X 0.1%
Hz X 2
SLAVE

1080P
29.97Hz

1080x
PROGRESSIVE
25 Hz
DISABLE
DISABLE
MASTER

1 2 3 4 5 6 NO

720p
INTERLACED
30 Hz
Hz X 0.1%
Hz X 2
SLAVE

1080P
59.94Hz

1080x
PROGRESSIVE
25 Hz
DISABLE
DISABLE
MASTER

1 2 3 4 5 6 NO

720p
INTERLACED
30 Hz
Hz X 0.1%
Hz X 2
SLAVE

1080P
30Hz

1080x
PROGRESSIVE
25 Hz
DISABLE
DISABLE
MASTER

1 2 3 4 5 6 NO

720p
INTERLACED
30 Hz
Hz X 0.1%
Hz X 2
SLAVE

1080P
60Hz

1080x
PROGRESSIVE
25 Hz
DISABLE
DISABLE
MASTER

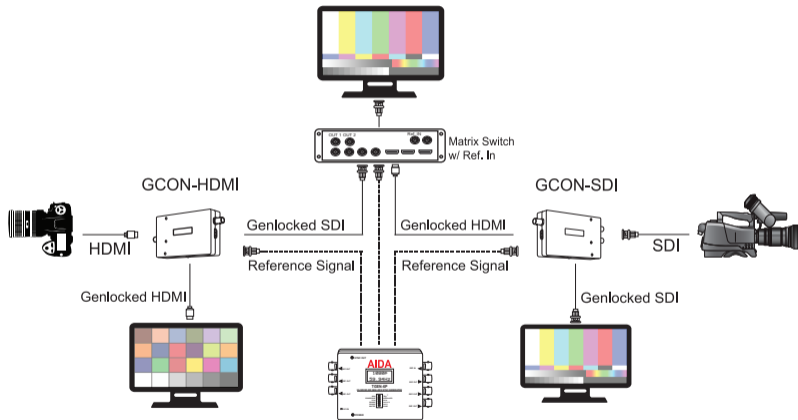
1 2 3 4 5 6 NO

720p
INTERLACED
30 Hz
Hz X 0.1%
Hz X 2
SLAVE

SPECIFICATION

Sync	Tri-Level HD
Output	6 x BNC
Input	SD Bi Level or HD Tri Level
Format	1080p 60 / 59.94 / 50 / 30 / 29.97 / 25 1080i 60 / 59.94 / 50 720p 60 / 59.94 / 50 / 30 / 25
SMPTE Standard	SMPTE 274M, SMPTE 296M
Control	Dipswitches & LCD Screen
Operation Temperature	15°F ~ 120°F
Dimension & Weight	129 x 86 x 29mm & 278g
Power Requirements	12VDC (Power adaptor included)

Specifications are subject to change without notice





Disposal of Old Appliances

1. When this crossed-out wheeled bin symbol is attached to a product it means the product is covered by the European Directive 2002/96/EC.
2. All electrical and electronic products should be disposed of separately from the municipal waste stream in accordance with laws designated by the government or the local authorities.
3. The correct disposal of your old appliance will help prevent potential negative consequences for the environment and human health.
4. For more detailed information about disposal of your old appliance, please contact your city office, waste disposal service or the shop where you purchased the product.



This equipment has been tested and found to comply with the limits for a Class A digital device, pursuant to part 15 of the FCC Rules.

These limits are designed to provide reasonable protection against harmful interference when the equipment is operated in a commercial environment.

This equipment generates, uses, and can radiate radio frequency energy and, if not installed and used in accordance with the instruction manual, may cause harmful interference to radio communications. Operation of this equipment in a residential area is likely to cause harmful interference in which case the user will be required to correct the interference at his own expense.