

DVDO



DVDO-CAT1080-Pair
50m 1080P HDMI Extender

User Manual

Version: V1.0.0



Important Safety Instructions

- | | | | |
|--|--|--|---|
| | <p>1. Do not expose this apparatus to rain, moisture, dripping or splashing and that no objects filled with liquids, such as vases, shall be placed on the apparatus.</p> | | <p>6. Clean this apparatus only with dry cloth.</p> |
| | <p>2. Do not install or place this unit in a bookcase, built-in cabinet or in another confined space. Ensure the unit is well ventilated.</p> | | <p>7. Unplug this apparatus during lightning storms or when unused for long periods of time.</p> |
| | <p>3. To prevent risk of electric shock or fire hazard due to overheating, do not obstruct the unit's ventilation openings with newspapers, tablecloths, curtains, and similar items.</p> | | <p>8. Protect the power cord from being walked on or pinched particularly at plugs.</p> |
| | <p>4. Do not install near any heat sources such as radiators, heat registers, stoves, or other apparatus (including amplifiers) that produce heat.</p> | | <p>9. Only use attachments / accessories specified by the manufacturer.</p> |
| | <p>5. Do not place sources of naked flames, such as lighted candles, on the unit.</p> | | <p>10. Refer all servicing to qualified service personnel.</p> |

Table of Contents

Introduction	5
Overview	5
Features	5
Package Contents	5
Specifications	6
Panel Description	7
Transmitter	7
Receiver	7
Installation and Wiring	8
Troubleshooting	9
Warranty Terms and Conditions	10

Introduction

Overview

Thank you for purchasing this product. For proper installation and optimum performance, please read the instructions in this manual carefully.

DVDO-CAT1080-Pair is a 50m 1080P cost-effective HDMI extender. It supports full HD video, 2ch audio and transports uncompressed 1080P@60Hz signals up to 50m/164ft along a single Cat X cable. It features one-way IR pass-through and PoC. The Receiver offers manual EQ DIP settings to adjust transmission distance for optimal signal delivery to the display.

Features

- Simple and cost-effective HDMI Extender
- Uncompressed 1080P/60Hz up to 50m/164ft over Cat 6/6a/7 cable
- Uncompressed 1080P/60Hz up to 40m/131ft over Cat 5e cable
- Supports HDMI 1.3b and HDCP 1.4
- Independent HDMI equalization adjustment button on receiver
- IR passes through from receiver to transmitter
- Built-in PoC, receiver can be powered by transmitter
- Built-in ESD: $\pm 8\text{kV}$ (air-gap discharge) & $\pm 4\text{kV}$ (contact discharge)
- Built-in Surge protection: Voltage $\pm 1\text{kV}$
- Compact size for easy installation
- Simply stick to TV by Velcro Hook/Loop Tape

Package Contents

- DVDO-CAT1080-Pair (Transmitter Receiver Set) x 1
- DC 5V 1A Power Adapter (with US, UK, EU, AU Pins) x 1
- IR Emitter x 1
- IR Receiver (30KHz ~ 50KHz) x 1

- Mounting Brackets (with Screws) x 4
- User Manual x 1

Specifications

Video	
Input/Output Signal Type	HDMI1.3b with HDCP 1.4
Input/Output Resolution Supported	Up to 1080@60Hz, including 1080P/1080I/720P/720I
Deep Color	8bit
Maximum Data Rate	4.45 Gbps
Maximum Pixel Clock	148 MHz
Audio Format Supported	PCM 2.0

General	
Operating Temperature	0°C to 45°C (32°F to 113°F)
Storage Temperature	-20°C to 70°C (-4°F to 158°F)
Operating& Storage Humidity	10% to 90%, non-condensing
ESD Protection	Human-body Model: ±8kV (Air-gap discharge)/ ±4kV (Contact discharge)
Power Supply	DC 5V 1A
Power Consumption (Maximum)	2.5W (Pair, PoC)
Device Dimension (W x H x D)	70mm x 20mm x 70.2mm/2.76" x 0.79" x 2.76" each for TX/RX
Product Weight	0.2kg/0.44lb each for TX/RX

Transmission Distance

Note: T568B straight-through Category cable is recommended.

Cable Type	Range	Supported Video
Cat 5e	40m/131ft	1080P@60Hz
Cat 6/6a/7	50m/164ft	
HDMI	Input/Output: 5m/16ft	1080P@60Hz

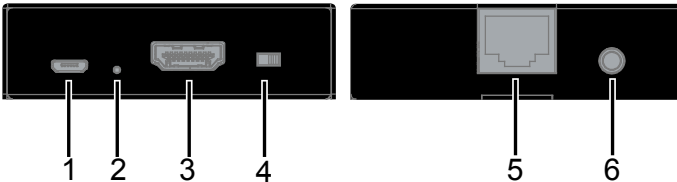
Panel Description

Transmitter



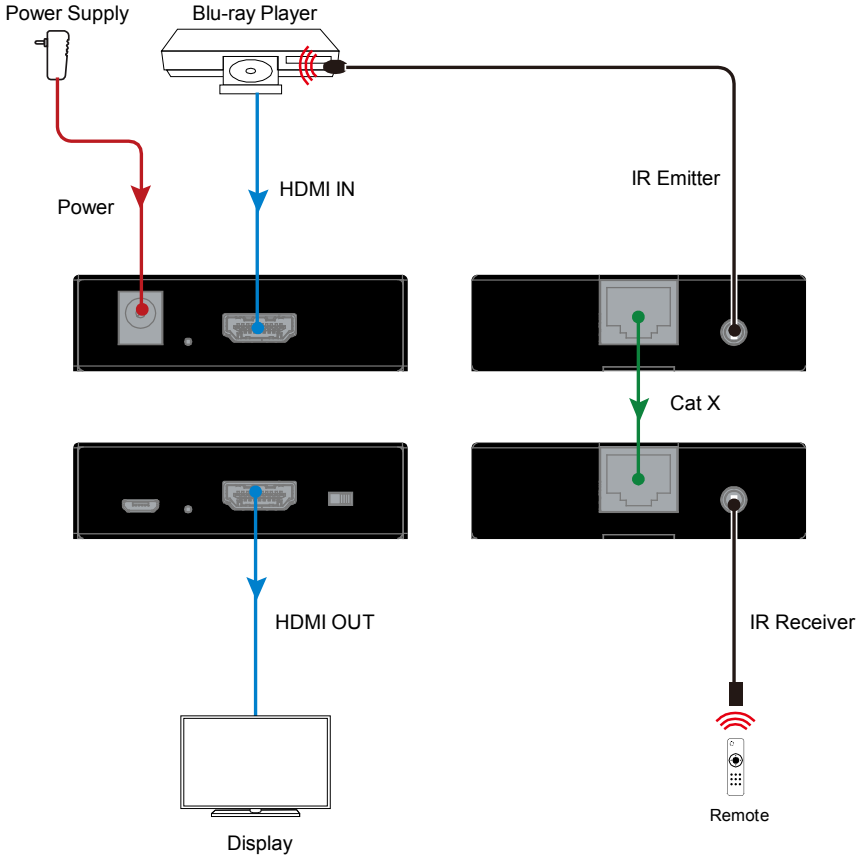
No.	Name	Description
1	DC 5V	Connect to the power adapter provided. The receiver can be powered by transmitter.
2	POWER LED	ON: The transmitter is powered on. OFF: The transmitter is powered off.
3	HDMI IN	Connect to an HDMI source device.
4	UTP OUT	Connect to the receiver via a Cat X cable.
5	IR OUT	Connect to the IR emitter cable provided.

Receiver



No.	Name	Description
1	USB 5V	Connect to USB device to power for the receiver.
2	POWER LED	ON: The receiver is powered on. OFF: The receiver is powered off.
3	HDMI OUT	Connect to an HDMI display.
4	EQ	Manual EQ DIP Switch: adjust the maximum transmission distance manually. 30m: 0~30m; 50m: 30~50m.
5	UTP IN	Connect to the transmitter via a Cat X cable.
6	IR IN	Connect to IR receiver cable provided.

Installation and Wiring



Troubleshooting

1. No Power

- Ensure the power is on.
- Ensure you use the power adapter provided in the package.

2. No Picture or Video Flash

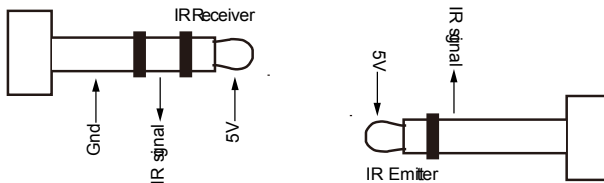
- Ensure all devices are on, and all cables are qualified and connected properly. Ensure all the cables' length are within the transmission distance (refer to **Specification** table).
- Ensure all the LED indicators are normal.
- When connecting source to display directly, ensure them can work properly.
- Ensure the input resolution is supported by the device.
- Please adjust EQ switch to set the maximum transmission distance.

3. Weak or Not Working IR Signal

- Ensure the devices support IR control (not Bluetooth/WIFI).
- Ensure you use the IR cables provided in the package, and install them correctly according to the Application Diagram.
- Pay attention to the control angle and distance.

IR Cable	IR Emitter	IR Receiver
Suggested Angle	0°	0°
Distance (Max)	30cm	8m

- When work with the third-party device, ensure it follows the pin definition below.



Warranty Terms and Conditions

For the following cases we shall charge for the service(s) claimed for the products if the product is still remediable and the warranty card becomes unenforceable or inapplicable.

1. The original serial number (specified by us) labeled on the product has been removed, erased, replaced, defaced or is illegible.
2. The warranty has expired.
3. The defects are caused by the fact that the product is repaired, dismantled or altered by anyone that is not from an authorized service partner. The defects are caused by the fact that the product is used or handled improperly, roughly or not as instructed in the applicable User Guide.
4. The defects are caused by any force majeure including but not limited to accidents, fire, earthquake, lightning, tsunami and war.
5. The service, configuration and gifts promised by salesman only but not covered by normal contract.
6. We preserve the right for interpretation of these cases above and to make changes to them at any time without notice.

DVDO
