



Scan for full manual

ASPEN-1616UX Quick Start Guide

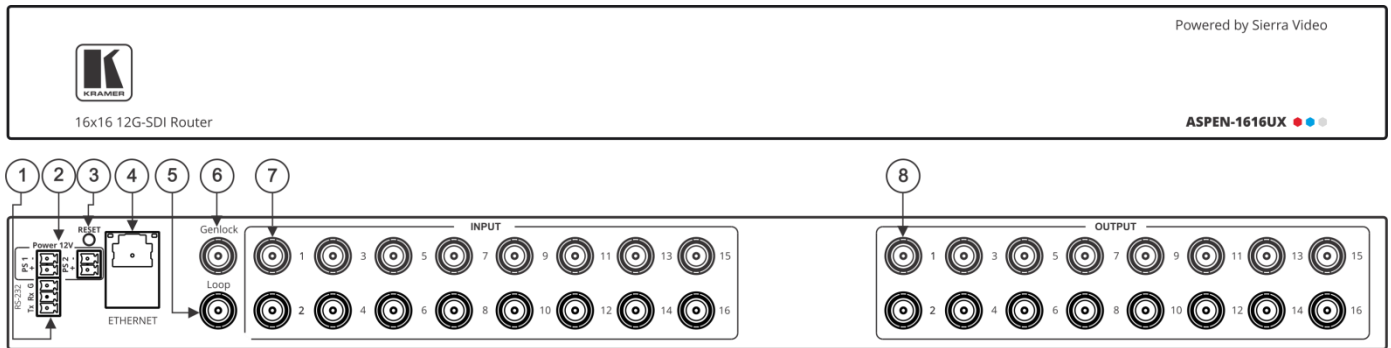
This guide helps you install and use your **ASPEN-1616UX** for the first time.

Go to www.kramerav.com/downloads/ASPEN-1616UX to download the latest user manual and check if firmware upgrades are available.

Step 1: Check what's in the box

- ✓ **ASPEN-1616UX** 16x16 12G-SDI Router
- ✓ 1 Set of rack ears
- ✓ 1 Quick start guide
- ✓ 1 Power adapter and cord
- ✓ 4 Rubber feet

Step 2: Get to know your ASPEN-1616UX



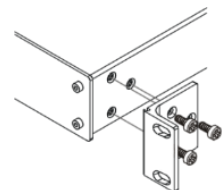
#	Feature	Function
1	RS-232 (G,Rx,Tx) Terminal Block Connector	Connect to a PC or remote controller.
2	POWER 12V DC Terminal Block Connector	Dual power supply for redundancy: PS 1 – primary power connector PS 2 – redundant power connector (optional). Connect each power adapter into a separate branch circuit employing a separate service ground.
3	RESET Button	Press briefly to restart the system. Press for 5 seconds to reset IP settings to factory default values. The device powers up and loads the factory default values: IP address: 192.168.1.39; Mask: 255.255.255.0; Gateway 192.168.1.1.
4	ETHERNET RJ-45 Connector	Connect to a PC via LAN and also used for firmware upgrade.
5	LOOP BNC Connector	Connect to the GENLOCK connector of the next unit in the daisy chain or terminate with 75Ω.
6	GENLOCK BNC Connector	Connect to the GENLOCK source.
7	INPUT BNC Connectors (1 to 16)	Connect to SDI sources.
8	OUTPUT BNC Connectors (1 to 16)	Connect to SDI acceptors.

Step 3: Install ASPEN-1616UX

Install **ASPEN-1616UX** using one of the following methods:

Remove the three screws from each side of the unit, reinsert those screws through the rack ears and mount on a 19" rack.

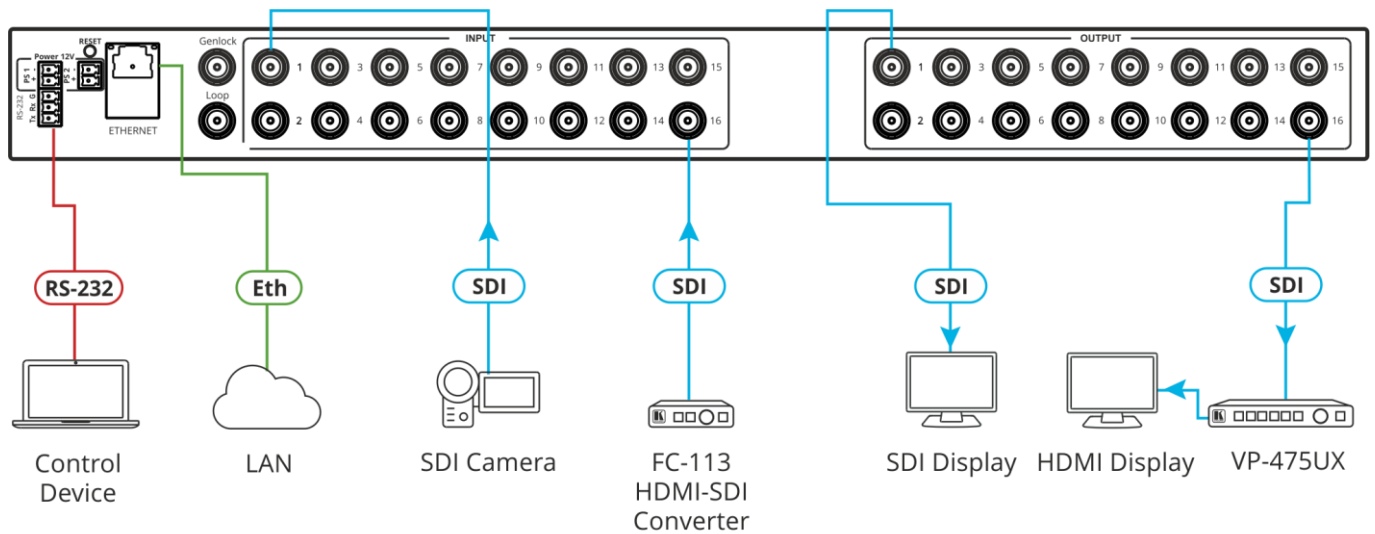
Attach the rubber feet and place the unit on a flat surface.



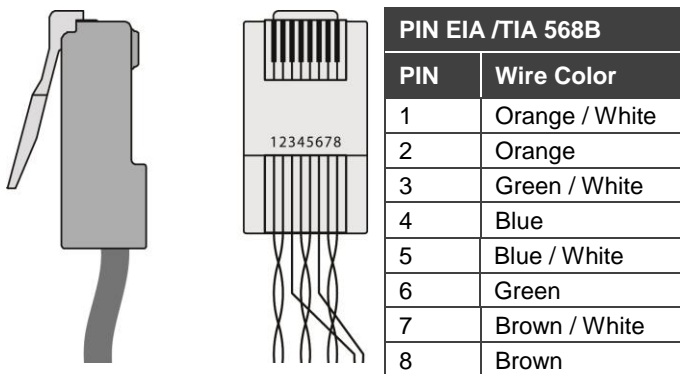
Step 4: Connect the inputs and outputs

Always switch OFF the power on each device before connecting it to your **ASPEN-1616UX**. For best results, we recommend that you always use Kramer high-performance cables to connect AV equipment to the **ASPEN-1616UX**.

Optionally, daisy-chain the **ASPEN-1616UX** by looping the genlock source to the next machine.



RJ-45 pinout:



Step 5: Connect the power

Connect the 12V DC power supply to **ASPEN-1616UX** and plug it into the mains electricity. You can add a second power supply (not supplied in the package) for backup.

Safety Instructions



Caution: There are no operator serviceable parts inside the unit.

Warning: Use only the Kramer Electronics power supply that is provided with the unit.

Warning: Disconnect the power and unplug the unit from the wall before installing.

See www.KramerAV.com for updated safety information.

Technical Specifications

Inputs	16 12G HD-SDI/HD-SDI/SDI Video	75Ω on BNC connectors
	1 Genlock	Looping on a BNC connector
Outputs	16 12G HD-SDI/HD-SDI/SDI Video	75Ω on BNC connectors
	1 Genlock Loop	Passive loop output on a BNC connector
SMPTE Standards	12G-SDI	SMPTE ST-2082-1
	3G HD-SDI	SMPTE 424M
	HD-SDI	SMPTE 292M
	SDI	SMPTE 259M/344M
Video	Max Resolution	4K@60Hz (4:2:2)
	Max Bandwidth	12Gbps
Controls	Remote	RS-232
		Ethernet
		Web pages
Reach	SD Signals	Up to 300m
	HD Signals	For 1.5GHz, up to 200m
		For 3GHz, up to 100m
		For 6GHz, up to 100m
UHD Signals	For 12GHz, up to 80m	
Coupling	DC	
Power	Consumption	12V DC, 1.35A
	Source	12V DC, 5A
Environmental Conditions	Operating Temperature	0° to +40°C (32° to 104°F)
	Storage Temperature	-40° to +70°C (-40° to 158°F)
	Humidity	10% to 90%, RHL non-condensing
Regulatory Compliance	Safety	CE
	Environmental	RoHs, WEEE
Enclosure	Size	19", 1U
	Type	Aluminum
	Cooling	Fan ventilation
General	Net Dimensions (W, D, H)	43.64cm x 10cm x 4.36cm (17.18" x 4" x 1.72")
	Shipping Dimensions (W, D, H)	55cm x 27.6cm x 10.7cm (21.7" x 10.87" x 4.21")
	Net Weight	1kg (2.2lbs)
	Shipping Weight	1.9kg (4.2lbs) approx.
Accessories	Included	Power cord
Specifications are subject to change without notice at www.kramerav.com		