

**E-RTDT-140** (-20 to 140°F (-28 to 60°C))  
**E-RTDT-240** (30 to 240°F (-1 to 115°C))

**DESCRIPTION**

The **E-RTDT Platinum RTD Transmitter** is a two-wire, 4-20 mA transmitter designed for use with 100Ω platinum RTD sensors. The transmitter is available in two standard ranges:

- E-RTDT-140: -20 to 140°F (-28 to 60°C)
- E-RTDT-240: 30 to 240°F (-1 to 115°C)

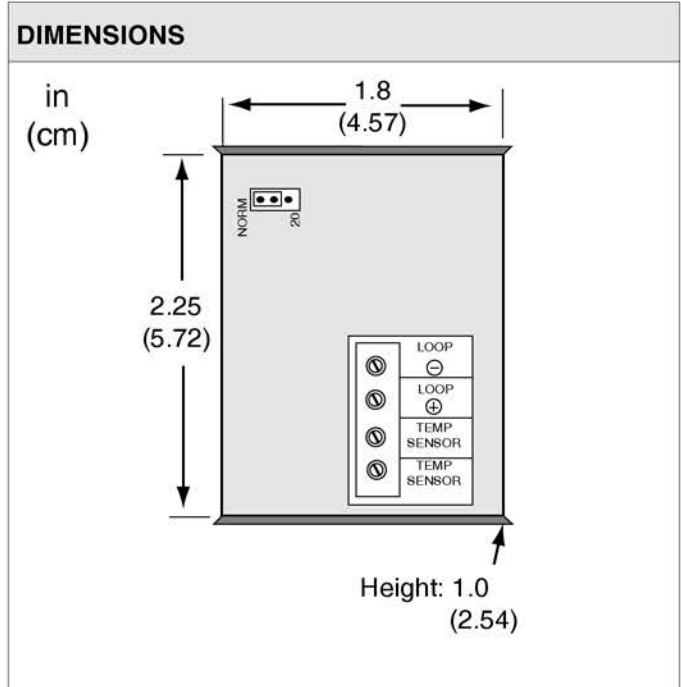
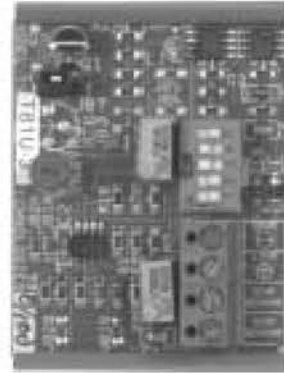
The unit has a special 20 mA loop calibration test signal to provide easy system verification. Simply move the bottle plug jumper from NORM to 20, and the transmitter will output a constant 20 mA. The Loop Up LED provides power indication for the 4-20 mA output.

**FEATURES**

- **Loop calibration test signal**
- **Snap-track mounting**
- **Loop-powered LED indication**

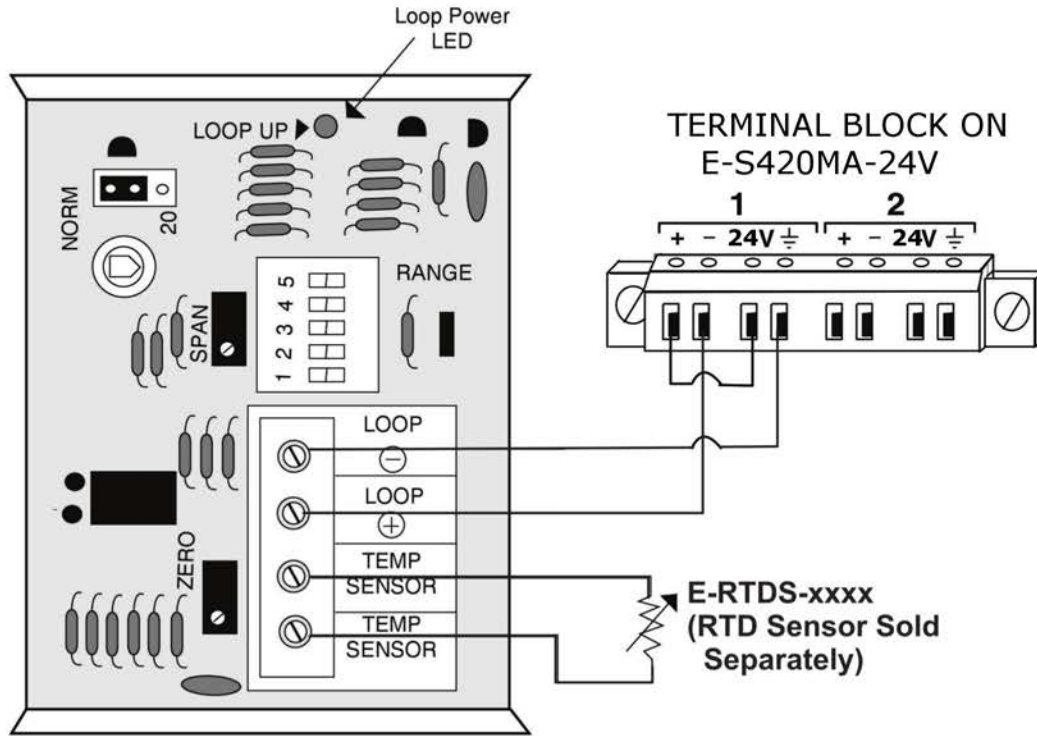
The E-RTDT-xxx requires the E-S420MA-24V and an RTD sensor probe (i.e. E-RTDS-A240, E-RTDS-MP240 and others) to operate with the E-SEMS-16(U), E-16D, E-5D, E-2D Enterprise Environment Monitoring System.

**100 OHM PLATINUM RTD TRANSMITTER**



SPECIFICATIONS			
<b>Sensor input</b>	100Ω platinum TCR 0.00385Ω/Ω/°C	<b>Max impedance</b>	675Ω at 24 VDC
<b>Output</b>	4-20 mA, loop-powered	<b>Ambient operating temp</b>	0° to 140°F (-18° to 60°C)
<b>Accuracy</b>	±0.8°F (±0.45°C)	<b>Humidity</b>	0% to 95% noncondensing
<b>Loop calibration output</b>	20 mA ±0.2%	<b>Dimensions</b>	1.8"W x 2.25"L x 1"H (4.6 x 5.7 x 2.5 cm)
<b>Supply voltage</b>	10.5 VDC-45 VDC	<b>Agency</b>	CE

# WIRING



## RTD Sensor 10 Configuration (Type: Temperature)

Sensor Settings	
Description	RTD Sensor 10 <small>Descriptive name for the sensor</small>
Group	1 <small>Select which group the sensor belongs to</small>
Min. Level	4.0 <small>Min. supported value for the sensor</small>
Max. Level	20.0 <small>Max. supported value for the sensor</small>
Associate Sensor	<input checked="" type="checkbox"/> Associate sensor to a customized sensor type
Associated Sensor Type	Temperature <small>Type of the associated sensor</small>
Associated Sensor Unit	F <small>Measurement unit for the associated sensor</small>
SNMP Associated Type ID	32767 <small>ID value for SNMP type of associated sensor</small>
Min. Associated Level	-20.000000 <small>Sensor expected value corresponding to 4mA</small>
Max. Associated Level	140.000000 <small>Sensor expected value corresponding to 20mA</small>
Min. Non-Critical Threshold	<input type="text"/> <small>Min. threshold below which indicates a non-critical alert condition</small>
Max. Non-Critical Threshold	<input type="text"/> <small>Max. threshold above which indicates a non-critical alert condition</small>
Min. Critical Threshold	<input type="text"/> <small>Min. threshold below which indicates an alert condition</small>
Max. Critical Threshold	<input type="text"/> <small>Max. threshold above which indicates an alert condition</small>
Refresh Rate	10 Sec <small>The refresh rate at which the sensor view is updated</small>
<input type="checkbox"/> Non-Critical Alert Settings <input type="checkbox"/> Critical Alert Settings <input type="checkbox"/> Data Logging	

**Min. and Max. Assoc. Levels for -140 model  
Change to 30 / 240 for -240 model  
(See manual for E-S420MA-24V  
For more details)**