



**XTENDEX® Series**

# USB3-2FOLC50-2

## USB 3.0 Two-Port Device Extender via Multimode Fiber

### Installation and Operation Manual

---



**Local Unit  
(Transmitter)**



**Remote Unit  
(Receiver)**

**TRADEMARK**

XTENDEX and the NTI logo are registered trademarks of Network Technologies Inc in the U.S. and other countries. All other brand names and trademarks or registered trademarks are the property of their respective owners.

**COPYRIGHT**

Copyright © 2021 by Network Technologies Inc. All rights reserved. No part of this publication may be reproduced, stored in a retrieval system, or transmitted, in any form or by any means, electronic, mechanical, photocopying, recording, or otherwise, without the prior written consent of Network Technologies Inc, 1275 Danner Drive, Aurora, Ohio 44202.

**CHANGES**

The material in this guide is for information only and is subject to change without notice. Network Technologies Inc reserves the right to make changes in the product design without reservation and without notification to its users.

### INTRODUCTION

The XTENDEX® 2-Port USB 3.0 Extender via Fiber Optic Cable extends two USB devices up to 1,148 feet (350 meters) using a duplex LC multimode fiber optic cable. Each extender consists of a local unit that connects to a computer, and a remote unit that connects to two USB 3.0/2.0/1.1 devices. The local and remote units are interconnected via two-strand LC multimode fiber optic cable.

#### Features:

- Supports fully transparent USB connection - compatible with USB computers (Windows 7/10, Mac OS 10/11, Linux) and their associated peripherals.
- Signal transmission up to 1,148 feet (350 meters) via a two-strand LC 50-micron OM3 (or above) multimode fiber
- Compliant with USB 3.0 specifications.
- Backwards compatible with USB 2.0/1.1.
- Supports super-speed (5 Gbps), high-speed (480 Mbps), full-speed (12 Mbps), or low-speed (1.5 Mbps) USB devices (flash drives, external hard drives, portable monitors, smartphones/tablets with USB 3.0 Type-C port, etc.).
- Supports full 900mA current.
- Supports Plug-n-Play specification.
- Low RFI/EMI for sensitive applications.
- No drivers required.
- Cables can be installed in conduit prior to extender installation.

### MATERIALS

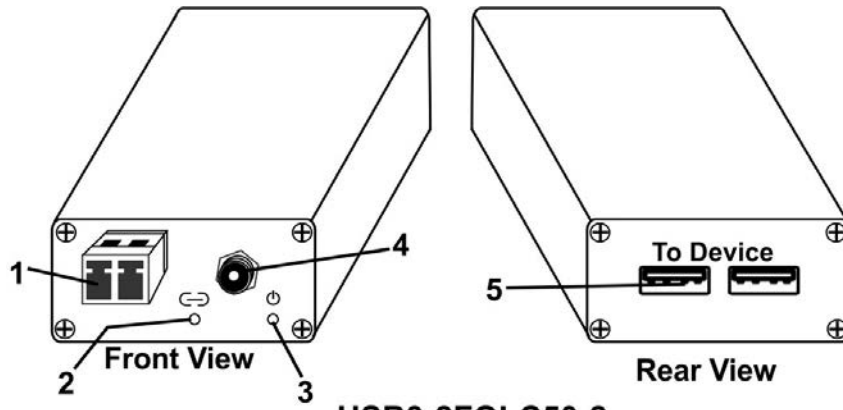
#### Materials supplied with this kit:

- NTI XTENDEX Transmitter and Receiver
- 100-240VAC, 50 or 60Hz-5VDC/3A AC Adapter
- Multi-Country Power Plug Connectors (EU, UK, AU and US)
- USB 3 Type Micro B-to-USB 3 Type A Male 21 Inch (540mm) cable
- URL slip with location of This manual

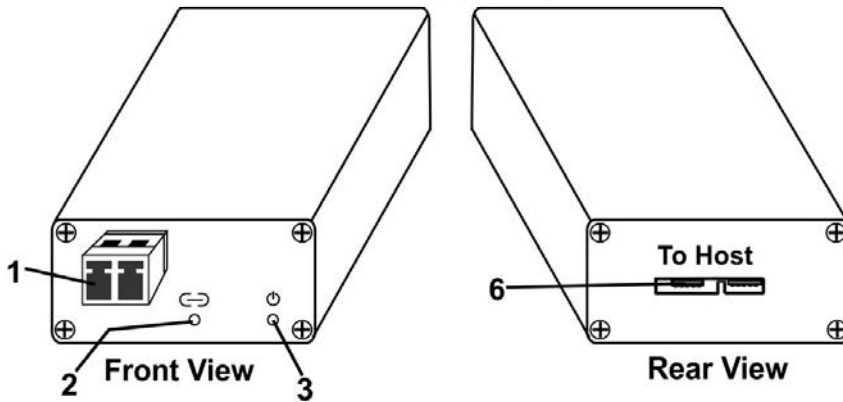
#### Materials *Not* supplied but **REQUIRED**:

Up to 350 meters (1148 feet) of LC Duplex 50-micron OM3 (or above) Multimode Fiber Optic Cable

**FEATURES AND FUNCTIONS**



**USB3-2FOLC50-2 Receiver**



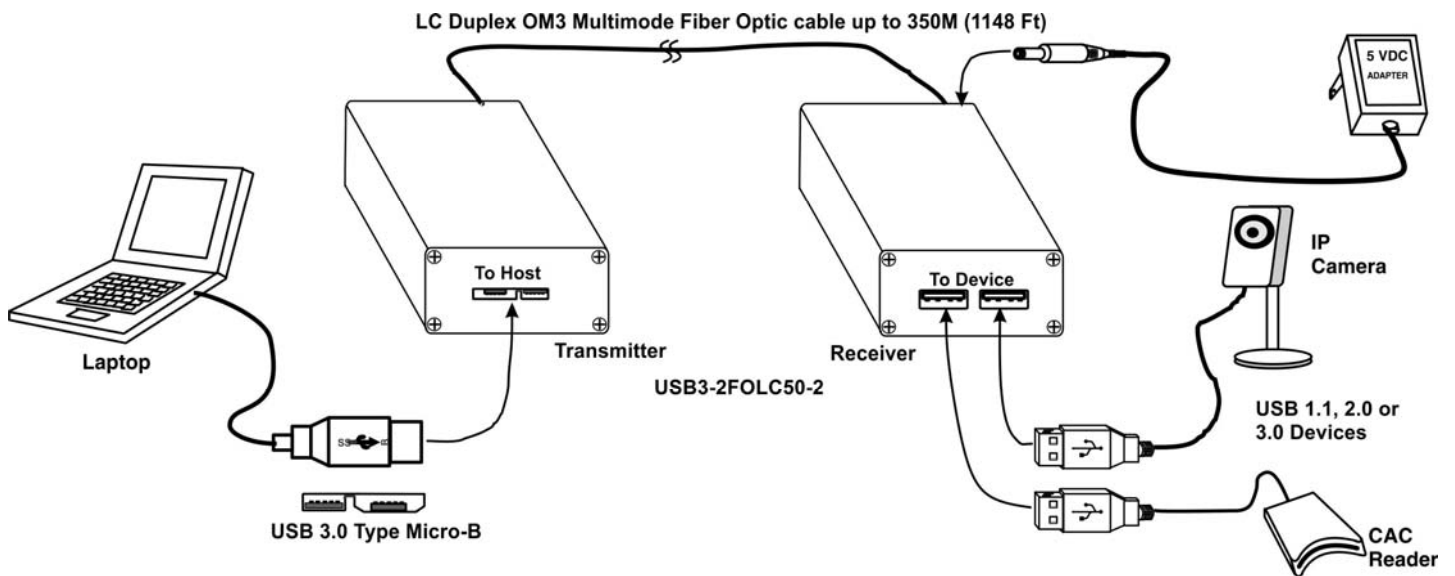
**USB3-2FOLC50-2 Transmitter**

#	LABEL	CONNECTOR/LED	DESCRIPTION
1	None	Fiber Optic Transceiver	For connection of Type LC Duplex OM3 (or above) Multimode fiber cable to go between the Transmitter and Receiver
2	Link symbol	LED	Indicate when connection between Transmitter and Receiver has been established.
3	Power symbol	LED	Indicate when power has been applied
4	None	Power Jack	for connection of power supply
5	To Device	Two USB Type A connectors	For connection of extended USB 1.1, 2.0 or 3.0 devices
6	To Host	USB 3.0 Type Micro B connector	For connection of USB 3.0 cable to host

## CONNECTIONS

1. Connect a LC duplex OM3 (or above) multimode fiber optic cable up to 350 meters (1148 feet) long between the fiber connector on the Transmitter and the fiber connector on the Receiver.
2. Connect the USB devices (USB 1.1, 2.0 or 3.0) to the Receiver.
3. Connect the 5VDC AC adapter between a power source and the Receiver.
4. Connect the Host to the Transmitter with the USB 3.0 Type Micro B-to-USB Type A cable provided. The Transmitter will be powered by the Host.

Once everything is connected, the power LED and the link LED should each illuminate.



## TECHNICAL SPECIFICATIONS

USB Version supported	USB 1.1, 2.0 and 3.0
Input Port	USB 3.0 Type Micro-B
Output Port	Two USB Type A
Speed	Up to SuperSpeed 5 Gbps
Supported OS	Windows 7,8,8.1 and 10; MacOS 10.x and above; Linux
Extension Distance	1148 Feet (350 meters)
Fiber cable supported	LC Duplex 50-micron OM3 (or above) Multimode
Supported USB Devices	USB 1.1, USB 2.0 and USB 3.0 Flash Drive, Touchscreen, printer, camera; USB 3.0 Type-C phone or tablet, etc.
Operating Temperatures	32 to 122°F (0 to 50°C)
Storage Humidity	-4 to 158°F (-20 to 70°C)
Operating/Storage Humidity	20 ~ 80%
Transmitter Power	Bus-Powered (5VDC from USB port)
Receiver Power	100-240VAC, 50 or 60Hz-5VDC/3A AC Adapter with Multi-country adapters (EU, UK, AU and US)
Size (In.) WxDxH	2.24 x 4.13 x 1.10 In. (Transmitter and Receiver)
Approvals	CE, RoHS, FCC

## WARRANTY INFORMATION

The warranty period on this product (parts and labor) is two (2) years from the date of purchase. Please contact Network Technologies Inc at **(800) 742-8324** (800-RGB-TECH) or **(330) 562-7070** or visit our website at <http://www.networktechinc.com> for information regarding repairs and/or returns. A return authorization number is required for all repairs/returns.