

# DVDO

## DVDO-USBC-HDMI-PS-21-XL

4K 2x1 Presentation Switcher with  
USB-C & HDMI Inputs, Audio Input &  
Output, 2 LAN Ports



DVDO-USBC-HDMI-PS-21-XL is a 2x1 presentation switcher with 1 HDMI & 1 USB-C inputs, 1 HDMI output, 1 USB Host port, dual Ethernet ports and separate balanced/un-balanced analog audio input and output.

It supports video resolutions up to 4K60 at 18Gbps as well as HDR.

The USB-C input supports DisplayPort 1.4 Alt Mode up to 4K60 video, USB 3.2 Gen 1 up to 5Gbps data transfer, 1G Ethernet and up to 100W charging.

The unit also includes 3 USB 3.2 Gen 1 Device ports (1 USB-C + 2 USB-A) for peripherals such as camera, hard disk, keyboard and mouse that can connect to both inputs / host devices.

It features auto and manual switching as well as auto signal detection.

It can be controlled over TCP/IP, Web GUI, RS232, IR or via the front panel buttons.

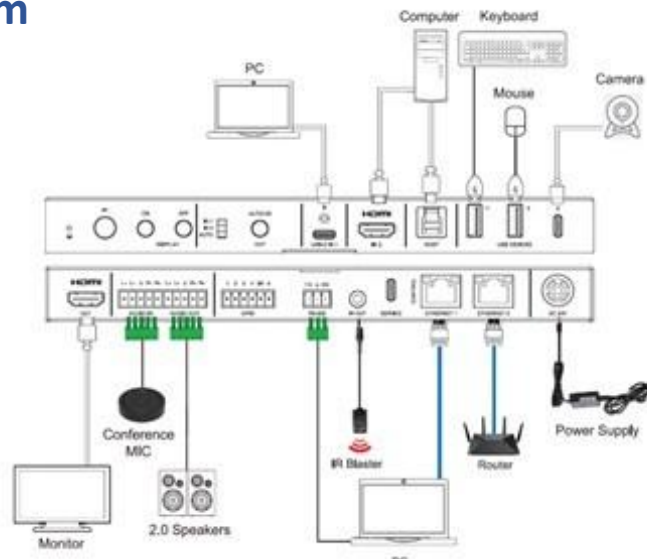
## Features

- HDMI 2.0b, HDCP 2.3 and DP 1.4a compliant
- 1 x HDMI + 1 x USB-C inputs & 1 HDMI output
- USB-C input supports DP Alt Mode up to 4K60 4:4:4, USB 3.2 Gen 1 (5Gbps), 1G Ethernet & 100W charging
- HDMI input supports video resolutions up to 4K60 4:4:4
- Fast switching including auto & manual switching
- Auto switching with signal detection and 5V detection
- USB 3.2 Gen 1 (5Gbps) host and local hub
- USB 3.2 Gen 1 (5Gbps) device with 5V/1.5A power output
- Balanced/un-balanced analog audio embedding to USB or HDMI audio
- Balanced/un-balanced analog audio de-embedding from USB or HDMI audio
- Advanced EDID management
- User defined welcome screen and no signal display image
- Dual 1G Ethernet ports with 802.1x and VLAN
- IR eye for IR learning and control
- Auto display on/off control
- External device control via CEC/IR/RS232/LAN/GPIO
- Control via front panel buttons, RS232, TCP/IP and Web GUI

## Applications

- Conference Rooms
- Training Rooms
- Education
- Boardrooms
- Lecture Halls
- Classrooms

# Application Diagram



## Technical Specifications

<b>Technical</b>	
Compliance	HDMI 2.0b / HDCP 2.3 / DP1.4a (USB-C input) / USB 3.2 Gen 1 (5 Gbps)
Video Resolutions / Bandwidth	Up to 4096x2160p @60Hz; 18 Gbps
Color Space / Depth	RGB 4:4:4, YCbCr 4:4:4 / 4:2:2 / 4:2:0; 8/10/12-bit, 8-bit (4K@60Hz, 4:4:4)
IR Level / Frequency	5Vp-p / 20K-60KHz
HDR	HDR, HDR10, HDR10+, Dolby Vision, HLG
Video Network Bandwidth	1G
HDMI Audio Formats	<b>HDMI/USB-C IN; HDMI OUT:</b> LPCM, Dolby Digital/Plus/EX, Dolby True HD, Dolby Atmos, DTS, DTS-EX, DTS-96/24, DTS High Res, DTS-HD Master Audio, DSD <b>Analog Audio IN/OUT:</b> LPCM 2CH (sample rate 32~192kHz)
ESD Protection	IEC 61000-4-2: ±8kV (Air-gap discharge) & ±4kV (Contact discharge)
<b>Connections</b>	
Input Ports	1 x HDMI IN2 [Type A, 19-pin female]; 1 x USB-C IN1 [Type C, 24-pin female]; 1 x USB HOST [Type B, 9-pin female]; 1 x L/R AUDIO [5-pin 3.5mm phoenix connector]
Output Ports	1 x HDMI [Type A, 19-pin female]; 3 x USB DEVICE [1 x Type C, 24-pin female + 2 x Type A, 9-pin female]; 1 x L/R AUDIO [5-pin 3.5mm phoenix connector]
Control Ports	1 x RS-232 [3-pin 3.5mm phoenix connector]; 1 x IR OUT [3.5mm stereo mini-jack]; 2 x LAN [RJ45 connector]; 1 x GPIO [6-pin 3.5mm phoenix connector]; 1 x SERVICE [USB-C, FW update port]
<b>Mechanical</b>	
Housing	Black metal enclosure
Weight & Dimensions	796g / 230mm [W] x 130mm [D] x 23mm [H]
Power Supply	Input: 100-240V 50/60Hz / Output: DC 24V/7.5A (CE/FCC/UL certified)
Power Consumption	37W (without USB-C charging) / 145W (with 100W USB-C charging)
Operating Temperature	Operating: 32 - 104°F / 0 - 40°C / Storage: -4 - 140°F / -20 - 60°C
Relative Humidity	20 - 80% (operating) / 10 - 90% (storage), non-condensing