



Hall Technologies • 1234 Lakeshore Dr Suite #150 Coppell, TX 75019 • halltechav.com

HT-FLARE-2, HT-FLARE-4, HT-FLARE-8

HDMI Splitter Family

USER MANUAL

February 18, 2025



Important Safety Instructions



1. Do not expose this apparatus to rain, moisture, dripping or splashing and that no objects filled with liquids, such as vases, shall be placed on the apparatus.



2. Do not install or place this unit in a bookcase, built-in cabinet or in another confined space. Ensure the unit is well ventilated.



3. To prevent risk of electric shock or fire hazard due to overheating, do not obstruct the unit's ventilation openings with newspapers, tablecloths, curtains, and similar items.



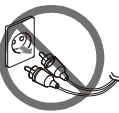
4. Do not install near any heat sources such as radiators, heat registers, stoves, or other apparatus (including amplifiers) that produce heat.



5. Do not place sources of naked flames, such as lighted candles, on the unit.



6. Clean this apparatus only with dry cloth.



7. Unplug this apparatus during lightning storms or when unused for long periods of time.



8. Protect the power cord from being walked on or pinched particularly at plugs.



9. Only use attachments / accessories specified by the manufacturer.

10. Refer all servicing to qualified service personnel.

Table of Contents

Introduction	4
Overview	4
Features.....	4
Package Contents	4
HT-FLARE-2	4
HT-FLARE-4	4
HT-FLARE-8	4
Connectors & Indicators.....	5
HT-FLARE-2 Front and Rear Panel	5
HT-FLARE-4 Front and Rear Panel	6
HT-FLARE-8 Front and Rear Panel	7
Connection Diagrams.....	8
HT-FLARE-2 Connection Diagram	8
HT-FLARE-4 Connection Diagram	8
HT-FLARE-8 Connection Diagram	9
Operating Instructions	9
EDID.....	9
HDCP	9
HDR	9
Specifications	10

Introduction

OVERVIEW

The HT-FLARE series is a family of HDMI splitters that distribute a single HDMI source to two, four, or eight simultaneous outputs. The products support 18Gbps bandwidth, full HDMI 2.0 and HDCP 2.2 with video resolutions up to 4k@60Hz 4:4:4. The products also support simultaneous routing to 4k and 1080p displays via downscaling.

FEATURES

- Simultaneously displays a 4k source on multiple displays
 - a) HT-FLARE-2: two displays
 - b) HT-FLARE-4: four displays
 - c) HT-FLARE-8: eight displays
- Supports resolutions up to 4k@60Hz 4:4:4
- Supports three different EDID handling abilities
- Supports HDCP 2.2/1.4 and HDR
- 18G Bandwidth
- Supports LPCM 7.1 Dolby® TrueHD, Dolby Digital® Plus, and DTS-HD® Master Audio™

Package Contents

HT-FLARE-2

- 1x HDMI 1x2 Splitter
- 1x 5V/1A AC Adapter

HT-FLARE-4

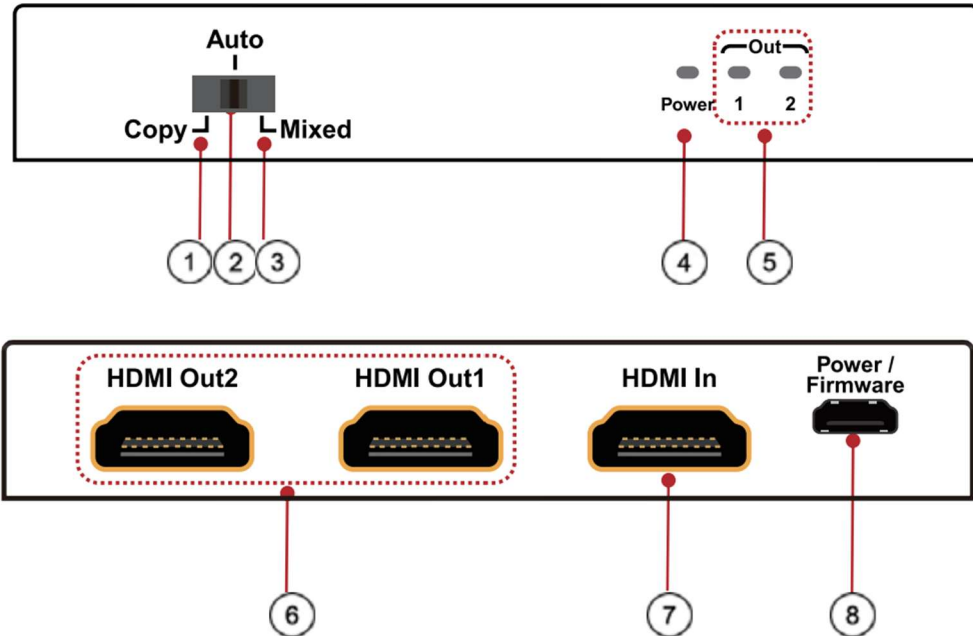
- 1x HDMI 1x4 Splitter
- 1x 5V/1A AC Adapter

HT-FLARE-8

- 1x HDMI 1x8 Splitter
- 1x 5V/2A AC Adapter

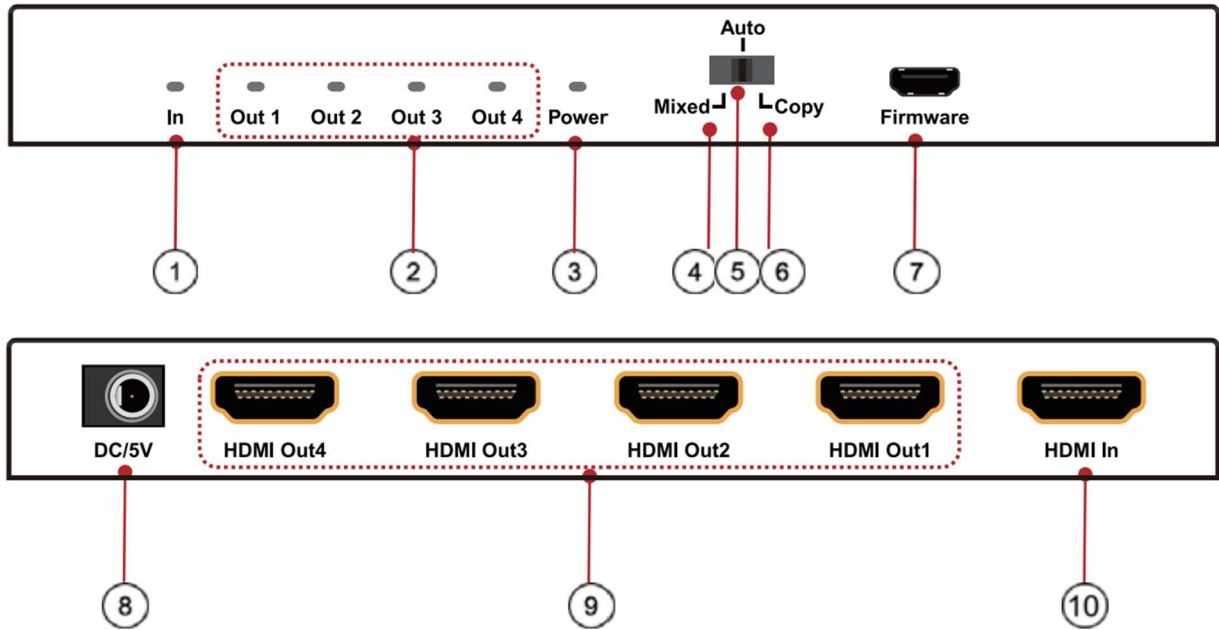
Connectors & Indicators

HT-FLARE-2 FRONT AND REAR PANEL



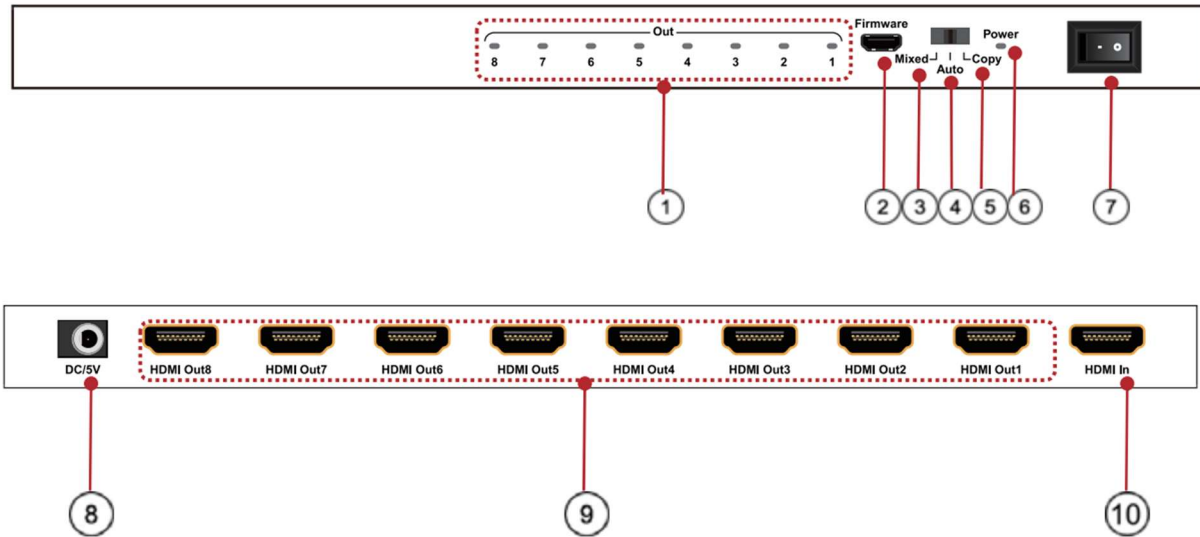
No.	Name	Description
1	COPY	Switch to “Copy EDID” Mode. <ul style="list-style-type: none"> When Output 1 is connected to a display and another display is connected to Output 2, Output 2 will follow the resolution of Output 1. When Output 1 is disconnected, Output 2 will output 4K@60Hz. Note: Output 1 is Priority Port
2	AUTO	Switch to “Auto EDID” Mode. Default is 4K@60Hz.
3	MIXED	Switch to “Mixed EDID” Mode. In this mode, EDID always follows the lowest resolution of the 2 outputs in order to support all displays.
4	POWER	LED power indicator
5	OUT	LED indicator of connected outputs
6	HDMI OUT	HDMI output ports
7	HDMI IN	HDMI input port
8	POWER/FIRMWARE	Power/Firmware Port

HT-FLARE-4 FRONT AND REAR PANEL



No.	Name	Description
1	IN	LED indicator of connected input
2	OUT	LED indicator of connected outputs
3	POWER	LED power indicator
4	MIXED	Switch to "Mixed EDID" Mode. In this mode, EDID always follows the lowest resolution of the 4 outputs in order to support all displays.
5	AUTO	Switch to "Auto EDID" Mode. Default is 4K@60Hz.
6	COPY	Switch to "Copy EDID" Mode. <ul style="list-style-type: none"> When Output 4 is connected to a display and another display is connected to the other outputs, the other outputs will follow the resolution of Output 4. When Output 1 is disconnected, Output 2 will output 4K@60Hz. Note: Output 4 is Priority Port
7	Firmware	Firmware port
8	DC/5V	Power input port
9	HDMI OUT	HDMI output ports
10	HDMI IN	HDMI input port

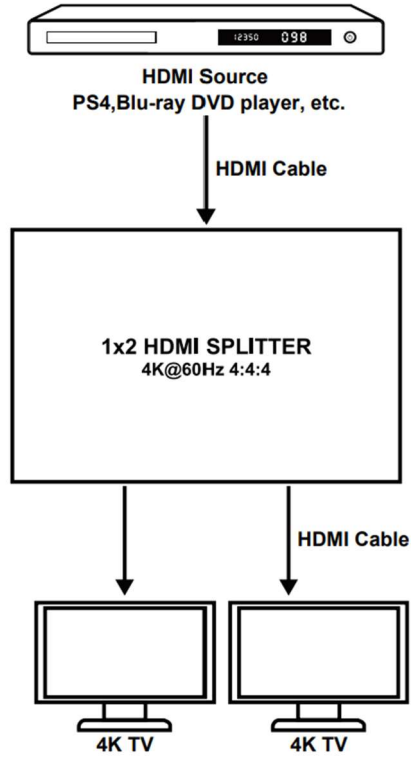
HT-FLARE-8 FRONT AND REAR PANEL



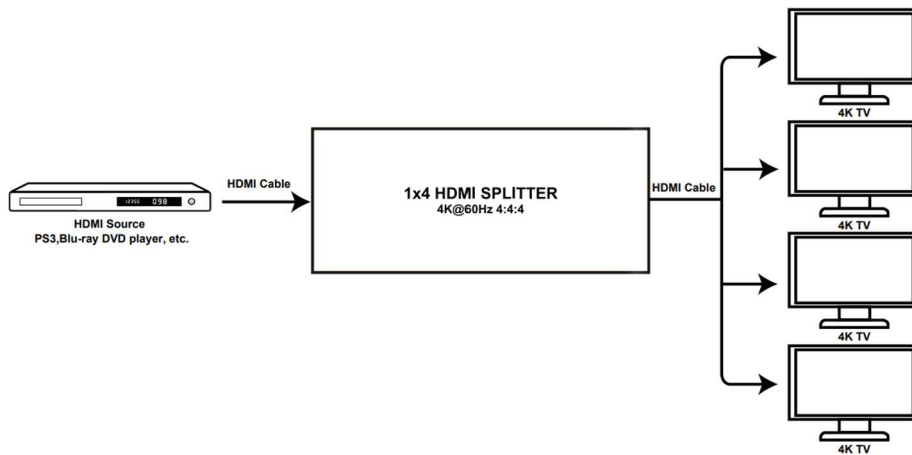
No.	Name	Description
1	OUT	LED indicator of connected outputs
2	FIRMWARE	Firmware port
3	MIXED	Switch to “Mixed EDID” Mode. In this mode, EDID always follows the lowest resolution of the 8 outputs in order to support all displays.
4	AUTO	Switch to “Auto EDID” Mode. Default is 4K@60Hz.
5	COPY	Switch to “Copy EDID” Mode. <ul style="list-style-type: none"> When Output 8 is connected to a display and another display is connected to the other outputs, the other outputs will follow the resolution of Output 8. When Output 1 is disconnected, Output 2 will output 4K@60Hz. Note: Output 8 is Priority Port
6	POWER	LED power indicator
7	ON/OFF	Press to turn/off device
8	DC/5V	Power input port
9	HDMI OUT	HDMI output ports
10	HDMI IN	HDMI input port

Connection Diagrams

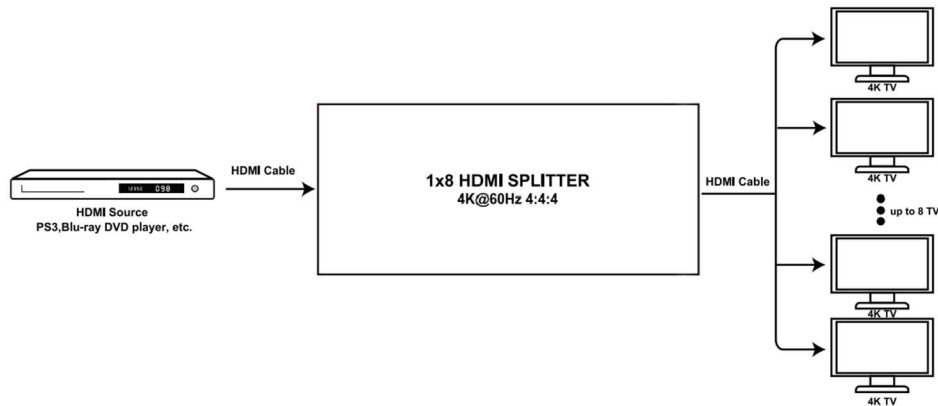
HT-FLARE-2 CONNECTION DIAGRAM



HT-FLARE-4 CONNECTION DIAGRAM



HT-FLARE-8 CONNECTION DIAGRAM



Operating Instructions

EDID

See Connectors and Indicators section for each splitter version to learn how “Copy EDID”, “Auto EDID” and “MIXED EDID” settings work.

HDCP

The HDCP version has priority over EDID. When the source is HDCP 2.2 and if the connected display supports HDCP 2.2, the output will be 4K@60Hz, however if the connected display does not support HDCP 2.2, the output will be 1080p. See table below:

Input Source	HDMI Display (Supports HDCP 2.2)	HDMI Display (Does not support HDCP 2.2)
HDCP 2.2 4K@60Hz	HDCP 2.2 4K@60Hz	HDCP 1.4 1080p@60Hz
HDCP 2.2 4K@24Hz	HDCP 2.2 4K@24Hz	HDCP 1.4 1080p@60Hz
HDCP 1.4 4K@24Hz	HDCP 1.4 4K@24Hz	HDCP 1.4 4K@24Hz

HDR

Support for HDR (High Dynamic Range) video can be accessed in “Copy EDID” and “Mixed EDID” modes.

Specifications

Technical

Bandwidth Frequency	18Gbps
Resolution	4k@60Hz 4:4:4
HDCP	HDCP 2.2
Transmission Distance	15m (max) over standard HDMI cable (26 AWG)
Operating Temperature	-5°C to 40°C (23°F to 104°F)
Humidity	5% to 90%, non-condensing

HT-FLARE-2

Inputs	1 x HDMI Female
Outputs	2 x HDMI Female
Power Consumption	1W (max)
Dimensions (L x W x H)	3.7" x 2.4" x 0.6" (93.6mm x 61mm x 15mm)
Net Weight	0.26 lbs. (0.12kg)

HT-FLARE-4

Inputs	1 x HDMI Female
Outputs	4 x HDMI Female
Power Consumption	2W (max)
Dimensions (L x W x H)	5.9" x 2.5" x 0.7" (150mm x 64.2mm x 17mm)
Net Weight	0.54 lbs. (0.245kg)

HT-FLARE-8

Inputs	1 x HDMI Female
Outputs	8 x HDMI Female
Power Consumption	5W (max)
Dimensions (L x W x H)	9.7" x 4.3" x 0.7" (247.2mm x 110mm x 17mm)
Net Weight	1.34 lbs. (0.61kg)



© Copyright 2024. Hall Technologies
All rights reserved.

1234 Lakeshore Drive, Coppell, TX 75019
halltechav.com / support@halltechav.com
(714)641-6607