



Hall Technologies • 1234 Lakeshore Dr Suite #150 Coppell, TX 75019 • halltechav.com

HT-HV43, HT-HV55

Hall Vision Video Displays

SPECIFICATIONS

August 27, 2025



Introduction

OVERVIEW

The Hall Technologies HT-HV Series displays are signage displays designed to operate 24/7. The 4k@60Hz resolution and 16:9 aspect ratio will natively match 4k and 1080p sources connected to it, with audio playback through the display's integrated loudspeakers.

IR remote menu buttons will access OSD for various display setting changes such as brightness, contrast, volume, etc.

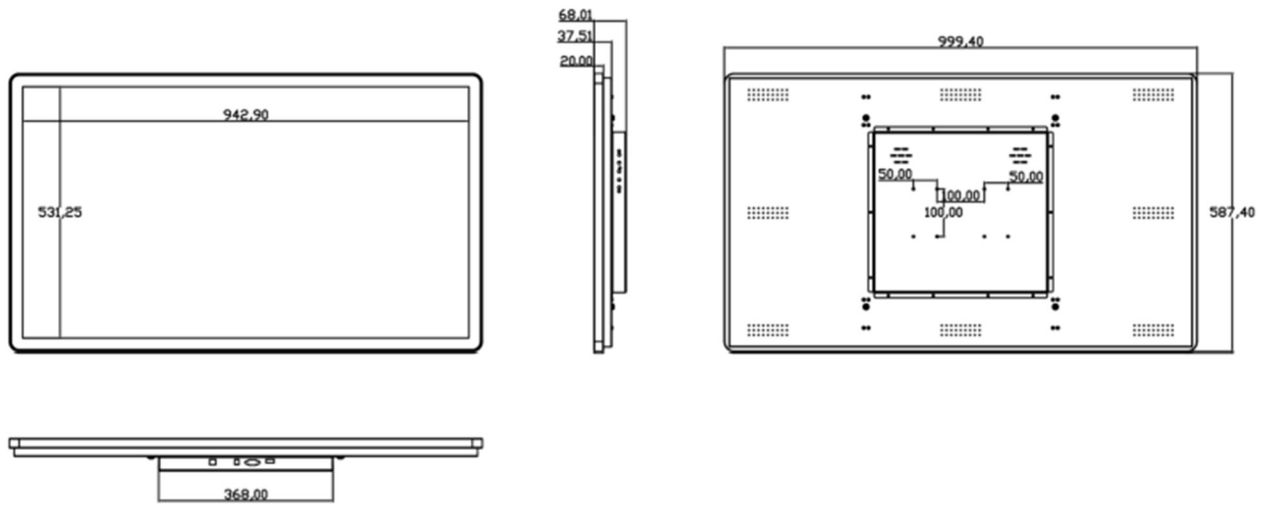
FEATURES

- LED Technology
- 4k@60Hz Native Resolution
- 16:9 Aspect Ratio
- 1x HDMI inputs with support for digital audio
- FCC and CE (Class B) compliant
- Wall Mount
- IR remote for accessing OSD settings

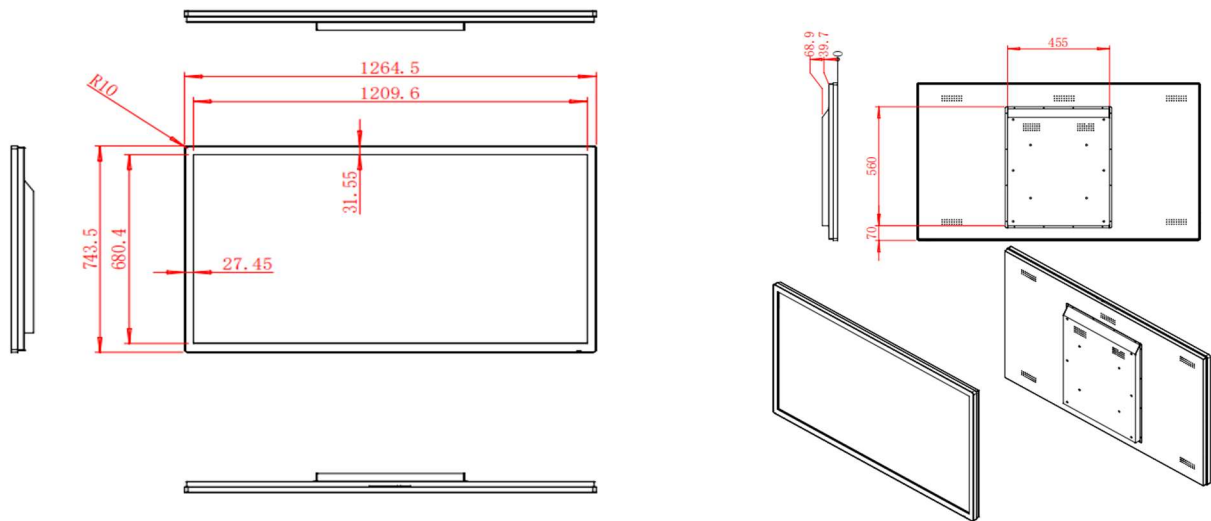
Specifications

	HT-HV43	HT-HV55
Display		
Display	43" LED Backlight	55" LED Backlight
Response time	8 ms	
Aspect Ratio	16:9	
Display area (H x V)	37.1" x 20.9" (942.9mm x 531.25mm)	47.6" x 26.7" (1208.6mm x 679.4mm)
Resolution	3840 x 2160	
Refresh Frequency	120Hz	
NTSC	72%	
Contrast Ratio	1200:1	
Viewing Angle	Horizontal: 178° / Vertical 178°	
Brightness with Glass	300 cd/m ²	
Lifetime	≥ 50,000 hours	
Bezel Branding	Hall Technologies	
Splash Screen Branding	Hall Technologies	
Bezel Color	Black	
Side/Trim Color	Black	
Rear Panel	Top angled panel with no vents to prevent dust – black in color	
OSD	Settings: Brightness, Contrast, ECO, DCA, Signal Source, Audio Mute, Audio Volume, OSD Language, OSD Position, OSD Timer, OSD Transparency, Color Temp, Aspect OSD Language: English, French, Italian, German, Spanish, Japanese, Traditional Chinese, Simplified Chinese, Russian, Korean	
Wall Mount	Metal - Black	
Mounting Options	VESA 4-hole 400mm mounting interface on rear of the unit	
Warranty	3 years	
Audio		
Loudspeaker	2 * 2.5W / 8Ω (2.0 Stereo)	
Power		
Power Requirements	100-240V @ 50/60Hz, 3.0A	
Overall Power (Max)	240W	
Standby Power	≤1W	
I/O Port		
Video Inputs	1 x HDMI, 1 x DisplayPort	
Audio Inputs/Outputs	1 x 3.5mm Line Input 1 x 3.5mm Line Output	
Accessories		
Included Accessories	1x HDMI Cable (3'), 1 x US Power Cable, 1 x Wall Mount w/ Mounting Screws	
Declarations		
Regulatory Approvals & Declarations	U.S. FCC, RoHS, CE	
General		
Display Dimensions (W x H x D)	39.3" x 23.1" x 2.7" (999.4mm x 587.4mm x 68mm)	49.8" x 29.3" x 3.3" (1264.5mm x 743.5mm x 85mm)
VESA Standard (H x V)	4-M6 400mm x 400mm	
Weight	50.5 lbs. (22.9kg)	70.5 lbs. (32kg)
Operating Temp	32° F to 104° F (0° C to 40° C)	
Storage Temp	-4° F to 140° F (-20° C to 60° C)	

HT-HV43 DIMENSIONS



HT-HV55 DIMENSIONS





© Copyright 2022. Hall Technologies
All rights reserved.

1234 Lakeshore Drive, Suite #150, Coppell, TX 75019
halltechav.com / support@halltechav.com
(714)641-6607