



Hall Technologies • 1234 Lakeshore Dr Suite #150 Coppell, TX 75019 • halltechav.com

HT-HVM27-2K

Hall Vision Medical Monitors

SPECIFICATIONS

February 9, 2025



Introduction

OVERVIEW

The Hall Vision Medical Monitors are medical-grade monitors used in hospitals and other healthcare facilities to display video from nurse's workstations and other sources. The native 2560x1440 resolution of this 27" monitor with 16:9 aspect ratio provides high-definition video making content easier to see.

The monitors include menu buttons to access OSD for various display setting changes. These menu buttons are lockable so users cannot access the OSD menu once the monitor is properly set up.

The monitors include multiple certifications, especially the medical certifications IEC/EN 60601-1 and IEC/EN 60601-1-2 in multiple countries, including:

- North America
 - USA and Canada
- Europe
 - Austria, Belgium, Denmark, Finland, France, Germany, Ireland, Italy, Luxemburg, Netherlands, Norway, Portugal, Spain, Sweden, Switzerland, and UK
- APAC & GC
 - Australia, Hong Kong, Indonesia, Japan, Malaysia, New Zealand, Singapore, South Korea, Taiwan, Thailand, and Vietnam

FEATURES

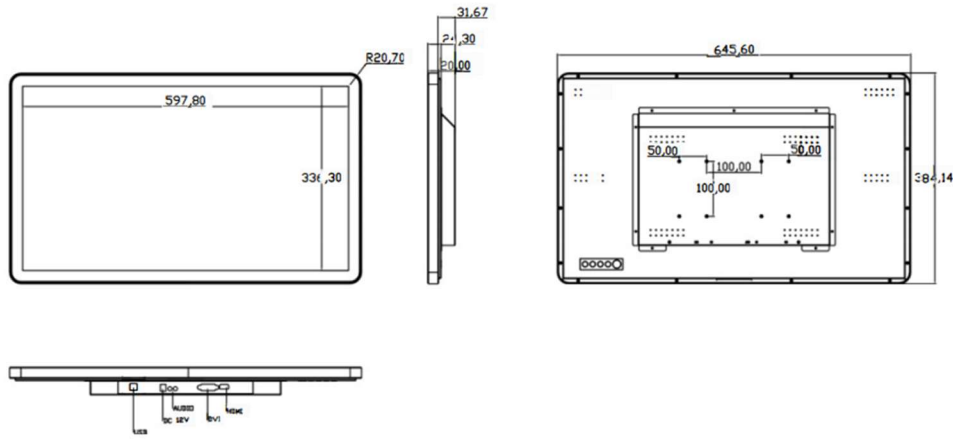
- 2560x1440 Native Resolution
- HDMI and DVI video inputs
- Built-in stereo speakers
- Greater than 50,000 lifetime hours
- IEC/EN 60601-1 and IEC/EN 60601-1-2 medical certifications

Specifications

HT-HVM27-2K

Display	
Display	27" TFT-LCD
Response time	6.5ms
Aspect Ratio	16:9
Display area (H x V)	23.55" x 13.24" (597.8mm x 336.3mm)
Resolution	2560 x 1440
Refresh Frequency	100Hz
Contrast Ratio	1300:1
Viewing Angle	Horizontal: 178° / Vertical 178°
Brightness with Glass	350 cd/m ²
Lifetime	≥ 50,000 hours
Surface Treatment	FOG, Hard Coating (3H)
Audio	
Loudspeaker	2*10W / 8Ω (2.0 Stereo)
Power	
Power Requirements	12V, 5A
Overall Power	60W
I/O Port, Interface	
Video Inputs	1 x HDMI, 1 x DVI-I
Audio Inputs	1 x 3.5mm Line-Level
Audio Outputs	1 x 3.5mm Line-Level (pass-through on Audio input; de-embed audio from HDMI)
OSD Button	Auto, Up, Power Down, Menu
General	
Display Dimensions (W x H x D)	25.42" x 15.12" x 2.98" (645.6mm x 384.14mm x 75.9mm)
VESA Standard (H x V)	100mm x 100mm, 200mm x 100mm
Weight	Net weight: 22.4 lbs. (10.16kg)
Operating Temperature	32° F to 122° F (0° C to 50° C)
Storage Temperature	-4° F to 140° F (-20° C to 60° C)
Humidity	5% ~ 90% @ 40° C, non-condensing
Heat Dissipation	Natural air cooling
Certifications	ACMA, BSMI, CE, FCC, IEC/EN 60601-1, IEC/EN 60601-1-2, KC, PSB, PSE, QUACERT, RoHS, SIRIM, SNI, TISI, UKCA, VCCI

HT-HVM27-2K DIMENSIONS



© Copyright 2022. Hall Technologies
All rights reserved.

1234 Lakeshore Drive, Suite #150, Coppell, TX 75019
halltechav.com / support@halltechav.com
(714)641-6607