



Hall Technologies • 1234 Lakeshore Dr Suite #150 Coppell, TX 75019 • halltechav.com

HT-HVMT24, HT-HVMT32, HT-HVTM43

Hall Vision Medical Touch Monitors

SPECIFICATIONS

January 20, 2025



Introduction

OVERVIEW

The Hall Vision Medical Touch Monitors are medical-grade monitors with built-in capacitive touch used in hospitals and other healthcare facilities to display video from nurse's workstations and other sources. The native 1920x1080 resolution with 16:9 aspect ratio provides high-definition video making content easier to see. Touch performance is optimized to accurately touch and select items on the connected PC.

The monitors include menu buttons to access OSD for various display setting changes. These menu buttons are lockable so users cannot access the OSD menu once the monitor is properly set up.

The monitors include multiple certifications, especially the medical certifications IEC/EN 60601-1 and IEC/EN 60601-1-2 in multiple countries, including:

- North America
 - USA and Canada
- Europe
 - Austria, Belgium, Denmark, Finland, France, Germany, Ireland, Italy, Luxemburg, Netherlands, Norway, Portugal, Spain, Sweden, Switzerland, and UK
- APAC & GC
 - Australia, Hong Kong, Indonesia, Japan, Malaysia, New Zealand, Singapore, South Korea, Taiwan, Thailand, and Vietnam

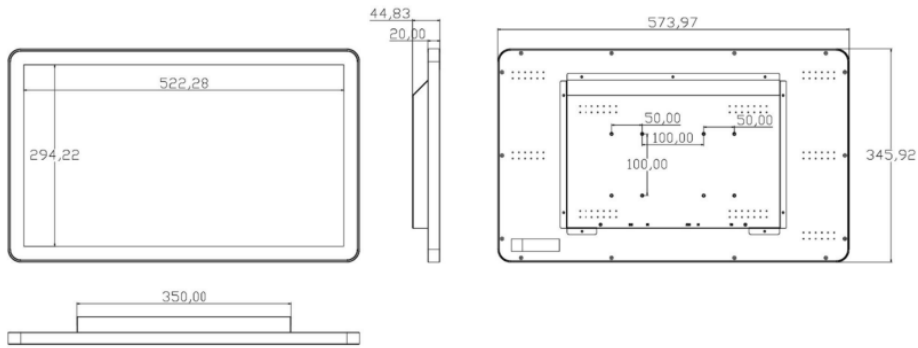
FEATURES

- Sizes include 24", 32", and 43"
- 1920x1080 @ 60Hz Native Resolution
- Capacitive touch screen
- HDMI and DVI video inputs
- Built-in stereo speakers
- Greater than 50,000 lifetime hours
- IEC/EN 60601-1 and IEC/EN 60601-1-2 medical certifications

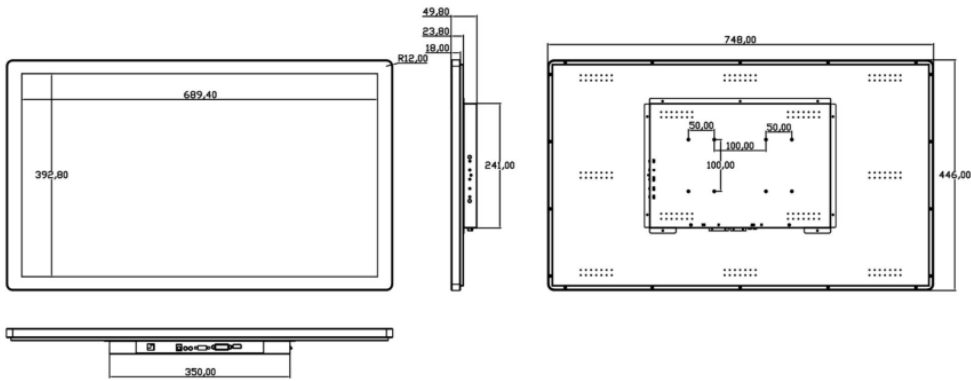
Specifications

	HT-HVMT24	HT-HVMT32	HT-HVMT43
Display			
Display	24" TFT-LCD	32" TFT-LCD	43" TFT-LCD
Response time	6.5ms		8ms
Aspect Ratio	16:9		
Display area (H x V)	20.56" x 11.58" (522.28mm x 294.22mm)	27.14" x 15.46" (689.40mm x 392.80mm)	37.12" x 20.92" (942.90mm x 531.25mm)
Resolution	1920 x 1080		
Refresh Frequency	60Hz		
Contrast Ratio	3000:1		4000:1
Viewing Angle	Horizontal: 178° / Vertical 178°		
Brightness with Glass	350 cd/m ²		
Lifetime	≥ 50,000 hours		
Surface Treatment	FOG, Hard Coating (3H)		
Audio			
Loudspeaker	2*10W / 8Ω (2.0 Stereo)	2*15W / 8Ω (2.0 Stereo)	
Power			
Power Requirements	12V, 5A		
Overall Power	60W		
I/O Port, Interface			
Video Inputs	1 x HDMI, 1 x DVI-I		
Audio Inputs	1 x 3.5mm Line-Level		
Audio Outputs	1 x 3.5mm Line-Level (pass-through on Audio input; de-embed audio from HDMI)		
Touch Control	1 x USB Type-B		
OSD Button	Auto, Up, Power Down, Menu		
Touch Parameters			
Touch Screen Technology	Capacitive Touch		
Surface Hardness	6H		
Transmittance	≥85%		
Maximum Points	10 Points Max		
Response Time	<8ms		
General			
Display Dimensions (W x H x D)	22.59" x 13.62" x 1.76" (573.97mm x 345.92mm x 44.83mm)	29.45" x 17.56" x 1.96" (748.0mm x 446.0mm x 49.8mm)	39.36" x 23.14" x 2.62" (999.7mm x 587.7mm x 66.5mm)
VESA Standard (H x V)	100mm x 100mm, 200mm x 100mm		400mm x 300mm
Weight	Net weight: 15.1 lbs. (6.8kg)	Net weight: 25.9 lbs. (11.8kg)	Net weight: 38.7 lbs. (17.6kg)
Operating Temperature	32° F to 122° F (0° C to 50° C)		
Storage Temperature	-4° F to 140° F (-20° C to 60° C)		
Humidity	5% ~ 90% @ 40° C, non-condensing		
Heat Dissipation	Natural air cooling		
Certifications	ACMA, BSMI, CE, FCC, ICES, IEC/EN 60601-1, IEC/EN 60601-1-2, KC, PSB, QUACERT, RoHS, SIRIM, SNI, TISI, UKCA, VCCI		

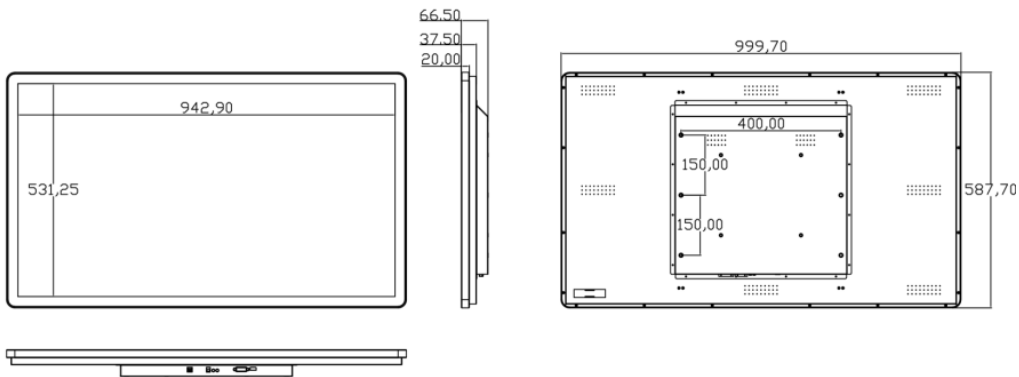
HT-HVMT24 DIMENSIONS



HT-HVMT32 DIMENSIONS



HT-HVMT43 DIMENSIONS





© Copyright 2022. Hall Technologies
All rights reserved.

1234 Lakeshore Drive, Suite #150, Coppell, TX 75019
halltechav.com / support@halltechav.com
(714)641-6607