



HDCP 2.2 to HDCP 1.4 Fixer with Audio and EDID

HDCP 2.2 to HDCP 1.4 Fixer



3835-R Thousand Oaks Blvd
Unit 295 Westlake Village, CA
Zip: 91362

Tel: 800-841-9238(TOLL FREE)

TExt: 805-409-0208

Mail: support@NOSPAMhdtvsupply.com - Delete NOSPAM



Thank you for purchasing this product. For optimum performance and safety, please read these instructions carefully before connecting, operating or adjusting this product. Please keep this manual for future reference.

SURGE PROTECTION DEVICE RECOMMENDED

This product contains sensitive electrical components that may be damaged by electrical spikes, surges, electric shock, lightning strikes, etc. Use of surge protection systems is highly recommended in order to protect and extend the life of your equipment.



TABLE OF CONTENTS

Introduction	4
Features	4
Panel Descriptions	5
Front Panel.....	5
Rear panel.....	6
Application Diagram	7
Specifications	7
Package Contents	7
Maintenance	8
Exclusive Remedies	8
RMA Policy	8



Introduction

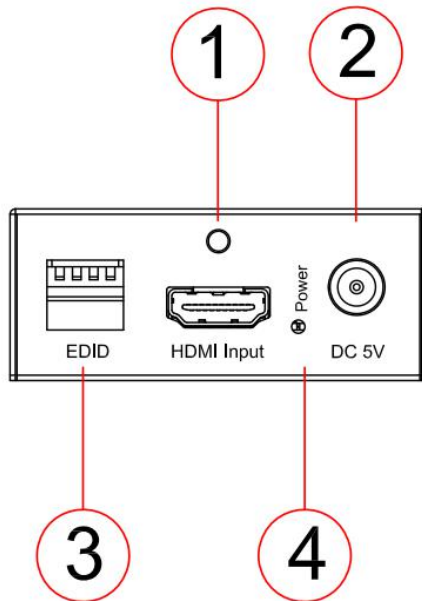
HDTV Supply HDCP 2.2 converter and audio extractor can work with HDCP 2.2 source and extract the audio via Coax and Stereo L/R outputs from HDMI source. It also features embedded pre-set EDID's as testing device in the video signal chain.

Features

- HDCP 2.2/HDCP 1.x and DVI compatible
- Supports 3D video up to 4K@30Hz 4:4:4 and 4K@60Hz 4:2:0
- Extract audio from the HDMI Input source and outputs via Coax & Stereo L/R
- With EDID management

Panel Descriptions

Front Panel



- ① HDMI Input---Connect to HDMI source device
- ② DC 5V--- Connect to 5V/1A DC power supply
- ③ DIP Switch--- EDID management

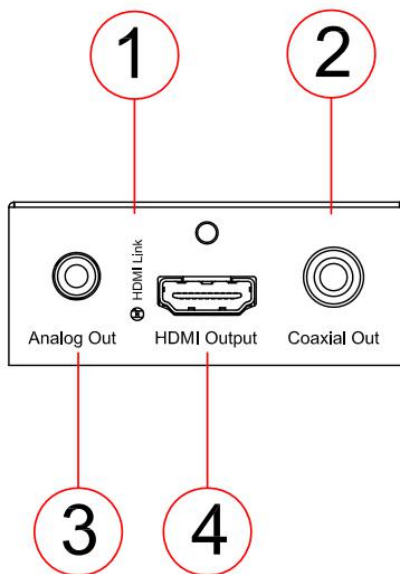
3	2	1	0	EDID type
Combination of DIP positions				
0	0	0	0	Copy EDID from output1
0	0	0	1	1080P 2.0CH
0	0	1	0	1080P 5.1CH
0	0	1	1	1080P 7.1CH
0	1	0	0	1080i 2.0CH
0	1	0	1	1080i 5.1CH
0	1	1	0	1080i 7.1CH
0	1	1	1	4K@60Hz, 4:2:0, 2.0CH, 3D
1	0	0	0	4K@60Hz, 4:2:0, 5.1CH, 3D
1	0	0	1	4K@60Hz, 4:2:0, 7.1CH, 3D
1	0	1	0	4K@30Hz, 4:4:4, 2.0CH, 3D
1	0	1	1	4K@30Hz, 4:4:4, 5.1CH, 3D



1	1	0	0	4K@30Hz, 4:4:4, 7.1CH, 3D
1	1	0	1	DVI 1280x1024
1	1	1	0	DVI 1920x1080
1	1	1	1	DVI 1920x1200

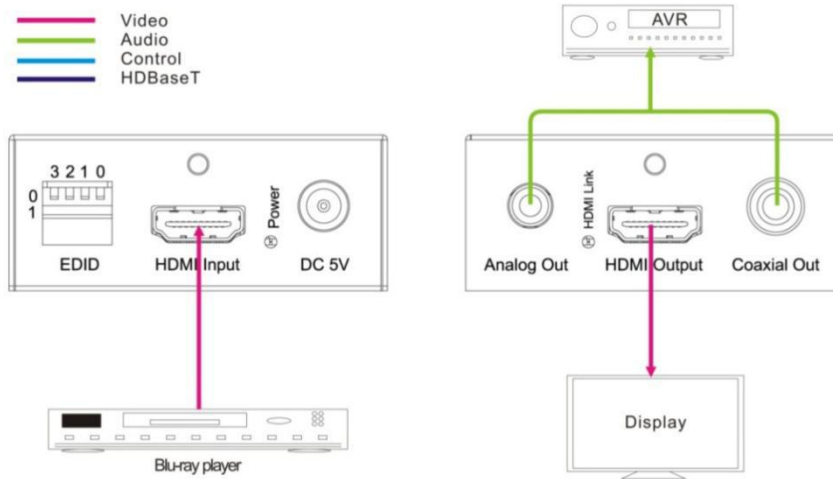
- ④ Power LED indicator ---Lit when getting power

Rear panel



- ① LED indicator for HDMI Output --- Lit when detecting HDMI signal
- ② Coaxial Out—Extract the audio from HDMI input
- ③ L/R Out--- Extract the audio from HDMI input and convert to 2CH if source Audio is PCM
- ④ HDMI Output---Connect to HDMI sink device

Application Diagram



Specifications

Bandwidth	10.2Gbps
Video Input Connectors	1x HDMI Type A, 19-pin, female
Video Output Connectors	1x HDMI Type A, 19-pin, female
Audio Output Connectors	1x RCA(SPDIFF), 1x 3.5mm stereo jack (L/R)
EDID	4-PIN DIP Switch
Operating Temperature	32°F to 104°F (0°C to 40°C)
Storage Temperature	- 4°F to 140°F (- 20°C to 60°C)
Power Supply	5V/1A DC

Package Contents

- 1) 1x DA0101-CPC
- 2) 1x 5V/1A Power Supply



Maintenance

Clean this unit with a soft, dry cloth. Never use alcohol, paint thinner or benzene to clean this unit.

Exclusive Remedies

HDTV Supply warranty, as stated is in lieu of all other warranties, expressed, implied, or statutory, including those of merchantability and fitness for a particular purpose. The buyer shall pass on to any purchaser, lessee, or other user of HDTV Supply's products, the aforementioned warranty, and shall indemnify and hold harmless HDTV Supply from any claims or liability of such purchaser, lessee, or user based upon allegations that the buyer, its agents, or employees have made additional warranties or representations as to product preference or use.

The remedies provided herein are the buyer's sole and exclusive remedies. HDTV Supply shall not be liable for any direct, indirect, special, incidental, or consequential damages, whether based on contract, tort, or any other legal theory.

RMA Policy

When returning product to HDTV Supply for any reason, the customer should fill out the official RMA form to obtain a RMA number. Without the permission or approval, HDTV Supply will be no responsible for any return. This can be initiated by emailing or calling your related sales. All requests are processed within 48 hours.

Standard Replacement

For customers that agree to return defective product to HDTV Supply first, a Standard Replacement option is available.

An RMA number must first be issued by sales. This RMA number will need to be referenced on the outside of the return shipment.

Upon receipt of the defective product, HDTV Supply will, at its discretion, either repair or replace the product and ship it out in the most expeditious manner possible. Subject to



availability, the replacement product will be shipped on the business day following receipt of the defective product.

In the event the product returned to HDTV Supply has been discontinued (i.e. the product is no longer being manufactured by HDTV Supply but is still under warranty), HDTV Supply will, at its discretion, either repair or replace with recertified product.

Once you have obtained an RMA number

After obtaining an RMA number from HDTV Supply, you must send the product - freight prepaid - to HDTV Supply Technology Co., Ltd. The HDTV Supply RMA number must be prominently displayed on the outside of your package. If you send your product to HDTV Supply without the RMA number prominently displayed on the outside of the package, it will be returned to you unopened.

Please use a shipping company that can demonstrate proof of delivery. HDTV Supply does not accept responsibility for any lost shipments unless proof of delivery to HDTV Supply is provided.

Please note:

Product shipped to HDTV Supply must be properly packaged to prevent loss or damage in transit.

Shipping your RMA to HDTV Supply using regular mailing envelopes is not acceptable, as they do not protect the product from damage during shipping.

HDTV Supply will not repair or replace a module that is shipped in such a way that the product is not properly protected.

HDTV Supply will not accept any product that has been damaged as a result of accident, abuse, misuse, natural or personal disaster, or any unauthorized disassemble, repair or modification.