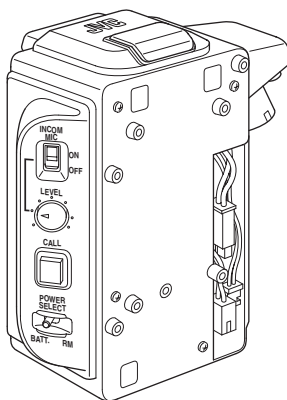




## MULTICORE REMOTE ADAPTER

# KA-M790G

## INSTRUCTIONS



Thank you for purchasing this product.  
Before beginning to operate this unit, please read the instruction manual carefully in order to make sure that the best possible performance is obtained.

### For Customer Use:

Enter below the Serial No. which is located on the body.

Retain this information for future reference.

Model No. KA-M790G

Serial No. \_\_\_\_\_

# Introduction

## FOR USA

These are general **IMPORTANT SAFEGUARDS** and certain items may not apply to all appliances.

### IMPORTANT SAFEGUARDS

1. Read all of these instructions.
2. Save these instructions for later use.
3. All warnings on the product and in the operating instructions should be adhered to.
4. Unplug this appliance system from the wall outlet before cleaning. Do not use liquid cleaners or aerosol cleaners. Use a damp cloth for cleaning.
5. Do not use attachments not recommended by the appliance manufacturer as they may cause hazards.
6. Do not use this appliance near water - for example, near a bathtub, washbowl, kitchen sink, or laundry tub, in a wet basement, or near a swimming pool, etc.
7. Do not place this appliance on an unstable cart, stand, or table. The appliance may fall, causing serious injury to a child or adult, and serious damage to the appliance. Use only with a cart or stand recommended by the manufacturer, or sold with the appliance. Wall or shelf mounting should follow the manufacturer's instructions, and should use a mounting kit approved by the manufacturer. An appliance and cart combination should be moved with care. Quick stops, excessive force, and uneven surfaces may cause the appliance and cart combination to overturn.
8. Slots and openings in the cabinet and the back or bottom are provided for ventilation, and to insure reliable operation of the appliance and to protect it from overheating, these openings must not be blocked or covered. The openings should never be blocked by placing the appliance on a bed, sofa, rug, or other similar surface. This appliance should never be placed near or over a radiator or heat register. This appliance should not be placed in a built-in installation such as a bookcase unless proper ventilation is provided.
9. This appliance should be operated only from the type of power source indicated on the marking label. If you are not sure of the type of power supplied to your home, consult your dealer or local power company. For appliance designed to operate from battery power, refer to the operating instructions.
10. For added protection for this product during a lightning storm, or when it is left unattended and unused for long periods of time, unplug it from the wall outlet and disconnect the antenna or cable system. This will prevent damage to the product due to lightning and power-line surges.
11. Do not allow anything to rest on the power cord. Do not locate this appliance where the cord will be abused by persons walking on it.
12. Follow all warnings and instructions marked on the appliance.
13. Do not overload wall outlets and extension cords as this can result in fire or electric shock.
14. Never push objects of any kind into this appliance through cabinet slots as they may touch dangerous voltage points or short out parts that could result in a fire or electric shock. Never spill liquid of any kind on the appliance.
15. Do not attempt to service this appliance yourself as opening or removing covers may expose you to dangerous voltage or other hazards. Refer all servicing to qualified service personnel.
16. Unplug this appliance from the wall outlet and refer servicing to qualified service personnel under the following conditions:
  - a. When the power cord or plug is damaged or frayed.
  - b. If liquid has been spilled into the appliance.
  - c. If the appliance has been exposed to rain or water.
  - d. If the appliance does not operate normally by following the operating instructions. Adjust only those controls that are covered by the operating instructions as improper adjustment of other controls may result in damage and will often require extensive work by a qualified technician to restore the appliance to normal operation.
  - e. If the appliance has been dropped or the cabinet has been damaged.
  - f. When the appliance exhibits a distinct change in performance - this indicates a need for service.
17. When replacement parts are required, be sure the service technician has used replacement parts specified by the manufacturer that have the same characteristics as the original part. Unauthorized substitutions may result in fire, electric shock, or other hazards.
18. Upon completion of any service or repairs to this appliance, ask the service technician to perform routine safety checks to determine that the appliance is in safe operating condition.

PORTABLE CART WARNING  
(symbol provided by RETAC)



## Safety Precautions

### FOR USA AND CANADA



#### CAUTION

RISK OF ELECTRIC SHOCK  
DO NOT OPEN



CAUTION: TO REDUCE THE RISK OF ELECTRIC SHOCK, DO NOT REMOVE COVER (OR BACK). NO USER-SERVICEABLE PARTS INSIDE. REFER SERVICING TO QUALIFIED SERVICE PERSONNEL.



The lightning flash with arrowhead symbol, within an equilateral triangle is intended to alert the user to the presence of uninsulated "dangerous voltage" within the product's enclosure that may be of sufficient magnitude to constitute a risk of electric shock to persons.



The exclamation point within an equilateral triangle is intended to alert the user to the presence of important operating and maintenance (servicing) instructions in the literature accompanying the appliance.

### INFORMATION:

This equipment has been tested and found to comply with the limits for a Class A digital device, pursuant to Part 15 of the FCC Rules. These limits are designed to provide reasonable protection against harmful interference when the equipment is operated in a commercial environment.

This equipment generates, uses, and can radiate radio frequency energy and, if not installed and used in accordance with the instruction manual, may cause harmful interference to radio communications.

Operation of this equipment in a residential area is likely to cause harmful interference in which case the user will be required to correct the interference at his own expense.

### CAUTION:

CHANGES OR MODIFICATIONS NOT APPROVED BY JVC COULD VOID USER'S AUTHORITY TO OPERATE THE EQUIPMENT.

THIS DEVICE COMPLIES WITH PART 15 OF THE FCC RULES. OPERATION IS SUBJECT TO THE FOLLOWING TWO CONDITIONS: (1) THIS DEVICE MAY NOT CAUSE HARMFUL INTERFERENCE, AND (2) THIS DEVICE MUST ACCEPT ANY INTERFERENCE RECEIVED, INCLUDING INTERFERENCE THAT MAY CAUSE UNDESIRED OPERATION.

### POUR CANADA



#### ATTENTION

RISQUE D'ELECTROCUTION  
NE PAS OUVRIR



#### ATTENTION:

POUR EVITER TOUT RISQUE D'ELECTROCUTION NE PAS OUVRIR LE BOITIER. AUCUNE PIECE INTERIEURE N'EST A REGLER PAR L'UTILISATEUR. SE REFERER A UN AGENT QUALIFIE EN CAS DE PROBLEME.



Le symbole de l'éclair à l'intérieur d'un triangle équilatéral est destiné à alerter l'utilisateur sur la présence d'une "tension dangereuse" non isolée dans le boîtier du produit. Cette tension est suffisante pour provoquer l'électrocution de personnes.



Le point d'exclamation à l'intérieur d'un triangle équilatéral est destiné à alerter l'utilisateur sur la présence d'opérations d'entretien importantes au sujet desquelles des renseignements se trouvent dans le manuel d'instructions.

Ces symboles ne sont utilisés qu'aux Etats-Unis.

### INFORMATION (FOR CANADA) RENSEIGNEMENT (POUR CANADA)

This Class A digital apparatus complies with Canadian ICES-003.

Cet appareil numérique de la Class A est conforme à la norme NMB-003 du Canada.

### Safety Precautions (continued)

**WARNING:**

**TO REDUCE THE RISK OF FIRE OR ELECTRIC SHOCK, DO NOT EXPOSE THIS APPLIANCE TO RAIN OR MOISTURE.**

**CAUTION:**

This unit should be used with 12V DC only. To prevent electric shocks and fire hazards, do NOT use any other power source.

**AVERTISSEMENT:**

**POUR EVITER LES RISQUES D'INCENDIE OU D'ELECTROCUTION, NE PAS EXPOSER L'APPAREIL A L'HUMIDITE OU A LA PLUIE.**

**ATTENTION:**

Ce magnétoscope ne doit être utilisé que sur du courant direct en 12V.

Afin d'éviter tout risque d'incendie ou d'électrocution, ne pas utiliser d'autres sources d'alimentation électrique

**NOTE:**

The rating plate (serial number plate) is on the unit.

**REMARQUE:**

La plaque signalétique (plaque du numéro desérie) est située sur le cadre inférieur de l'unité.

**CAUTION:**

To prevent electric shock, do not open the cabinet. No user serviceable parts inside. Refer servicing to qualified service personnel.

Due to design modifications, data given in this instruction book are subject to possible change without prior notice.

The apparatus shall not be exposed to dripping or splashing and that no objects filled with liquids, such as vases, shall be placed close to the apparatus.

**Caution:**

Where there are strong electromagnetic waves or magnetism, for example near a radio or TV transmitter, transformer, motor, etc., the picture and the sound may be disturbed. In such case, please keep the apparatus away from the sources of the disturbance.

### FOR EUROPE

This equipment is in conformity with the provisions and protection requirements of the corresponding European Directives. This equipment is designed for professional video appliances and can be used in the following environments:

- Controlled EMC environment (for example, purpose-built broad-casting or recording studio), and rural outdoors environments.

In order to keep the best performance and furthermore for electromagnetic compatibility we recommend to use cables not exceeding the following lengths:

Port	Cable	Length
[RM]	Shielded Cable	10 m
[PROMPTER OUTPUT]	Shielded Cable	10 m
[INTERCOM]	Shielded Cable	1.5 m

---

## Information for Users on Disposal of Old Equipment



**Attention:**

This symbol is only valid in the European Union.

### [European Union]

This symbol indicates that the electrical and electronic equipment should not be disposed as general household waste at its end-of-life. Instead, the product should be handed over to the applicable collection point for the recycling of electrical and electronic equipment for proper treatment, recovery and recycling in accordance with your national legislation.

By disposing of this product correctly, you will help to conserve natural resources and will help prevent potential negative effects on the environment and human health which could otherwise be caused by inappropriate waste handling of this product. For more information about collection point and recycling of this product, please contact your local municipal office, your household waste disposal service or the shop where you purchased the product. Penalties may be applicable for incorrect disposal of this waste, in accordance with national legislation.

### (Business users)

If you wish to dispose of this product, please visit our web page <http://www.jvc.eu> to obtain information about the take-back of the product.

### [Other Countries outside the European Union]

If you wish to dispose of this product, please do so in accordance with applicable national legislation or other rules in your country for the treatment of old electrical and electronic equipment.

**Dear Customer,**

This apparatus is in conformance with the valid European directives and standards regarding electromagnetic compatibility and electrical safety.

European representative of Victor Company of Japan, Limited is:

JVC Technical Services Europe GmbH

Postfach 10 05 04

61145 Friedberg

Germany

**Sehr geehrter Kunde, sehr geehrte Kundin,**

dieses Gerät stimmt mit den gültigen europäischen Richtlinien und Normen bezüglich elektromagnetischer Verträglichkeit und elektrischer Sicherheit überein.

Die europäische Vertretung für die Victor Company of Japan, Limited ist:

JVC Technical Services Europe GmbH

Postfach 10 05 04

61145 Friedberg

Deutschland

## Safety Precautions (contiuned)

FOR USE IN CHINA ONLY

### 《电子信息产品污染控制管理办法》规定的表示内容

#### 关于环保使用期限



- 此图标表示了中国《电子信息产品污染控制管理办法》规定的环保使用期限。只要用户在使用本产品时遵守注意事项中的各项规定，从制造日期开始到此图标标出的期限为止（环保使用期限）既不会污染环境也不会产生对人体有害的物质。

环保使用期限

#### 关于产品中的有毒、有害物质

零件名称	有毒或有害物质、元素					
	铅 (Pb)	水银 (Hg)	镉 (Cd)	六价铬 (Cr6+)	多溴联苯 (PBB)	多溴二苯醚 (PBDE)
线路板组件	×	○	○	×	○	○
机箱	×	○	○	×	○	○
其他附件	×	○	○	×	○	○

○：此零件中的每个均匀材料所含有毒、有害物质的量在SJ/T 11363-2006标准规定的范围之内。  
×：此零件中至少有一种均匀材料含有有毒、有害物质的量超过了SJ/T 11363-2006标准的规定。



# Introduction

---

## Contents

---

### Introduction

Main Features .....	3
Precautions for Proper Use .....	4
Names of Parts and Functions .....	6

---

### Installation

Connection Diagram .....	8
Attaching this Unit to the Camera .....	9

---

### Remote Control Unit Connection

Connecting the Remote Control Unit .....	11
Connection .....	11
Preparations .....	12
Synchronizing with the Camera .....	12
Displaying the Return Video .....	12
Using the Tally Function and Call Function .....	13
Using the Intercom .....	13
List of Remote Control Unit Functions ...	14

---

### Others

Specifications .....	16
----------------------	----



## Main Features

This adapter can be attached to the GY-HM790 series GY-HM790CHU/GY-HM790U/GY-HM790CHE/GY-HM790E for it to be used as a HD/SD studio camera.

### Analog 26-pin Camera Connector

By connecting to a Remote Control Unit (RM-HP250AU/RM-HP250DE : sold separately), this adapter can be controlled from up to a distance of 100 m away.

In this case, power is supplied to the camera by the remote control unit, and thus a separate power supply is not needed for the camera. Also, you can choose to supply power from the battery using the [POWER SELECT] switch. Composite signals and Y/PB/PR component signals are output from the 26-pin camera connector.

### Intercom Terminal


Using a headset enables communication with the remote control unit operator.

### Prompter Output Terminal

Outputs prompter video from the remote control unit as composite signals.

#### How to use this manual

##### ■ Symbols used

- Note** : Describes precautions concerning the operation of this product.
- Memo** : Describes reference information, such as functions and usage restrictions of this product.
-  : Indicates the reference page numbers and reference items.

##### ■ Content of this manual

- All rights reserved by JVC. Unauthorized duplication or reprinting of this manual, in whole or in part, is strictly prohibited.
- All other product names used in this manual are the trademarks or registered trademarks of the respective companies. Marks such as <sup>TM</sup>, <sup>®</sup>, and <sup>©</sup> are omitted in this manual.
- Illustrated designs, specifications and other contents of this manual are subject to changes for improvement without prior notice.

### Precautions for Proper Use

#### Storage and Usage Locations

- Avoid using or placing this unit in the following places.
  - Places subject to extreme heat or cold
  - Places with excessive dirt or dust
  - Places with high humidity or moisture
  - Places subject to smoke or vapor such as near a cooking stove
  - Places subject to strong vibrations or unstable surfaces
  - In a parked car under direct sunlight or near a heater for long hours.
- Allowable ambient temperature and humidity  
Be sure to use this unit within the allowable temperature range of 0 °C to 40 °C and a relative humidity of 30 % to 80 %. Using this unit at a temperature outside the allowable range may result in malfunction of the product.
- Strong electromagnetic waves or magnetism  
Noise may appear in the picture or audio and/or the colors may be incorrect if this unit is used near a radio or television transmitting antenna, in places where strong magnetic fields are generated by transformers, motors, etc., or near devices emitting radio waves, such as transceivers or cellular phones.
- Use of wireless microphone near this unit  
When a wireless microphone or wireless microphone tuner is used near this unit during recording, the tuner could pick up noise.
- Do not place this unit at places that are subject to radiation or X-rays, or where corrosive gases occur.
- Protect this unit from being splashed with water. (Especially when shooting in the rain)
- Protect this unit from getting wet when shooting on a beach. In addition, salt and sand may adhere to the body. Be sure to clean this unit after use.
- Protect this unit against penetration of dust when using it in a place subject to sandy dust.
- When transceiver or mobile phone is used near this unit, noise may enter the intercom speaker or appear on the screen. This is not a malfunction.

#### Transportation

- Do not drop or hit this unit against a hard object when transporting.
- Moving this unit with the supporting tripod attached may cause the unit to fall off if they are subject to external impact or vibration. This may cause injuries. Make sure to remove the unit from the tripod before moving it.

#### Maintenance

- Turn off the power before performing any maintenance.
- Wipe the external cabinet of the unit with a soft cloth. Do not wipe the body with benzene or thinner. Doing so may cause the surface to melt or turn cloudy. When it is extremely dirty, soak the cloth in a solution of neutral detergent, wipe the body with it, and then use a clean cloth to remove the detergent.

#### Power Saving

- Turn off the power of the system when the unit is not in use to save energy.

#### Others

- Use only the specified standard length camera cable. Using a camera cable other than that designated can result in malfunction and its performance cannot be guaranteed.
- Supply power from the remote control unit or battery.
- If power is supplied from the [DC INPUT] terminal of the GY-HM790 series after connecting the remote control unit, the camera may be temporarily turned off when turning ON/OFF the power of the remote control unit.

---

## Genlock Signal and System Phase Adjustment

■ When the remote control unit system is used, Genlock signal can either be input from the camera (GY-HM790CHU/GY-HM790U/GY-HM790CHE/GY-HM790E) or the remote control unit.

You can select the device to input the Genlock signal in [Genlock Input] of the [Others] menu on the camera.

Adapter : Inputs Genlock signal from the remote control unit via a 26-pin camera cable.

BNC : Inputs Genlock signal from the [GENLOCK INPUT] terminal (E model)/[GENLOCK/AUX INPUT] terminal (U model) on the camera.

■ The method of phase adjustment varies depending on the remote control unit connected.

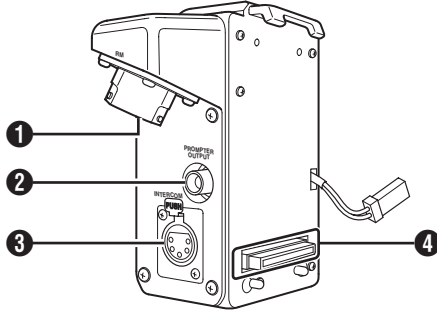
### When RM-HP250AU/RM-HP250DE is connected

- Adjust phase using RM-HP250AU/RM-HP250DE

### When RM-P210U/RM-P210E is connected

- When Genlock signal is input into RM-P210U/RM-P210E  
Adjust phase by performing H adjustment of RM-P210U/RM-P210E.
- When Genlock signal is input into the camera  
Adjust the phase by performing H adjustment of the camera even when RM-P210U/RM-P210E is connected.

## Names of Parts and Functions



### ❶ [RM] RM Multi-pin Connector (26-pin)

For connecting to a remote control unit (sold separately) using a 26-pin camera cable (sold separately). Power can also be supplied from the remote control unit to this unit or the camera through this terminal.

Camera images (composite signals and Y/PB/PR component signals) are output from the output terminal of the remote control unit via the [RM] terminal.

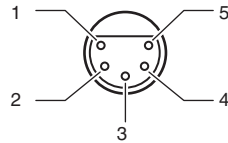
### ❷ [PROMPTER OUTPUT] Prompter Output Terminal (BNC)

For connecting the video monitor. Signal (prompter video signal) input into the [AUX] input terminal of the remote control unit will be output from this terminal via the RM multi-pin connector as component signals.

### ❸ [INTERCOM] Intercom Input Terminal (XLR 5 Pin)

Input terminal for intercom headset. (For dynamic microphones only.)

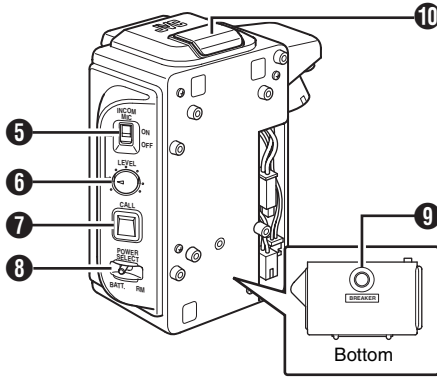
Recommended headset : DT109 (Beyerdynamic)



	Signal
1	MIC(H)
2	MIC(C)
3	EAR(C)
4	EAR(H)-LEFT
5	EAR(H)-RIGHT

### ❹ Camera Connector (68-pin)

For connecting to the accessory terminal at the rear of the camera.



### 5 [INCOM MIC] Intercom Mic [ON/OFF] Switch

ON/OFF switch for the intercom headset microphone.  
Set it to "ON" if the headset microphone is to be used.  
(☞ Page 13)

### 6 [INCOM LEVEL] Intercom Receiver Volume

For adjusting the intercom headset receiver's volume level.

### 7 [CALL] Call Button

Press this button to send call signals to the remote control unit operator without using the intercom headset.  
Pressing this button lights it up.  
Call signals are sent to the remote control unit while the button is pressed down.  
(☞ Page 13)

### 8 [POWER SELECT] Power Selection Switch

For selecting the power supply for the camera (including this unit).

**Memo:** \_\_\_\_\_

- Be sure to turn off the camera before operating the [POWER SELECT] switch 8.

BATT. : Uses the [DC INPUT] terminal on the camera or a battery.

RM : Uses the remote control unit connected to the [RM] terminal 1.

### 9 [BREAKER] Breaker Button

The breaker switch will trip and cut off the power if the power consumed is higher than the rated capacity.

When power is cut off by the breaker, check for any abnormality that may have caused the rated power from being exceeded. If no abnormality is found, press the [BREAKER] button to turn on the power again.

If this unit does not function properly after turning on the power, consult our authorized JVC dealers.

### 10 Tally Lamp

Lights up when call signals or tally signals are received from the remote control unit.  
(☞ Page 13)

CALL : Blinks in red

TALLY (PGM) : Lit in red

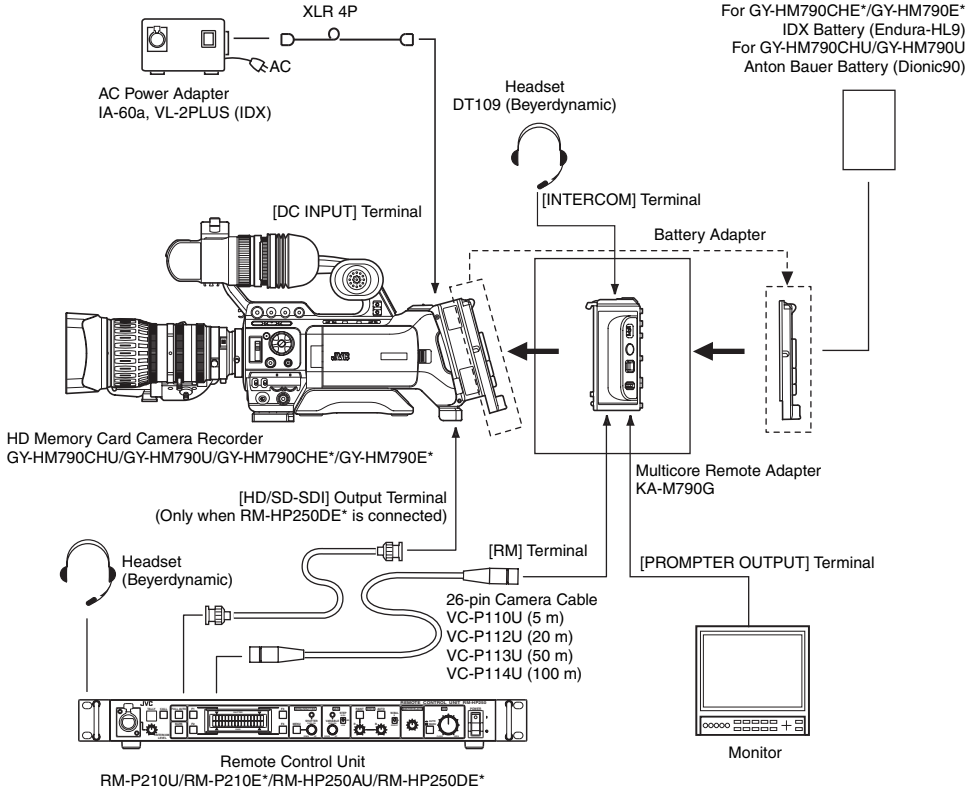
TALLY (PVW) : Lit in green

# Installation

## Connection Diagram

### Memo:

- When attaching this unit to the camera, remove the battery adapter from the camera, and attach this unit to the same position. Attach the dismantled battery adapter to the rear of this unit. (Page 9 to 10)



\* Models with an E suffix are for the European market and the UL Listing mark is not applicable.

## Attaching this Unit to the Camera

Attach this unit to the camera after removing the battery adapter from the camera.

Two separate types of battery adapters are used respectively for IDX and Anton Bauer Batteries. Either one of them is attached depending on the region.

U model : Gold Mount for Anton Bauer Battery

E model : V Mount for IDX Battery

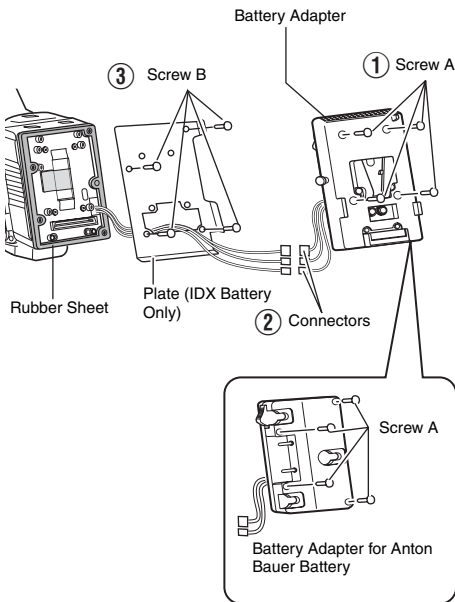
### 1 Remove the battery from the camera

### 2 Remove the battery adapter from the camera

- ① Unfasten Screw A (x4) to remove the adapter
- ② Remove the connectors (x2 or x3)
- ③ Unfasten Screw B (x4) to remove the plate (IDX Battery only)

#### Memo:

- Do not remove the rubber sheet of the camera.
- The plate is only available on IDX Batteries.



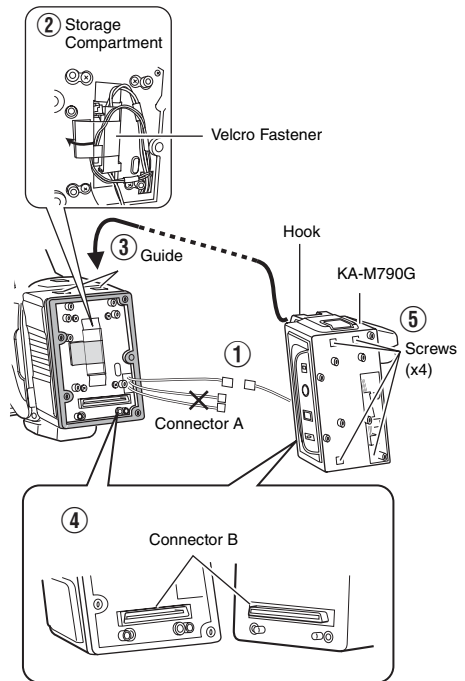
### 3 Attach this unit to the camera

- ① Connect Connector A (one location only) of the camera to that of this unit
- ② Store the connected connector in the storage compartment of the camera, and fasten using the supplied Velcro fastener

#### Note:

- Make sure that the connection wires and connectors are properly stored and do not protrude out.

- ③ Attach the hook of this unit to the guide on the camera
- ④ Connect Connector B of this unit to that of the camera
- ⑤ Fasten this unit to the camera using the screws (x4)



## Installation

### Attaching this Unit to the Camera (continued)

#### 4 Attach the battery adapter to this unit

- ① Align the holes on the supplied rubber sheet with the screw holes on the rear of this unit
- ② Attach the plate to this unit using the screws (x4) (only applicable to IDX Battery)

#### Memo:

- The battery adapter for Anton Bauer Battery does not come with a plate.

- ③ Connect this unit to the battery adapter using the connectors (x2 or x3)
- ④ Store the connectors in the storage compartment

IDX : Store in the battery adapter

Anton Bauer : Store in the storage compartment of this unit

- ⑤ Attach the battery adapter using screw A (x4)

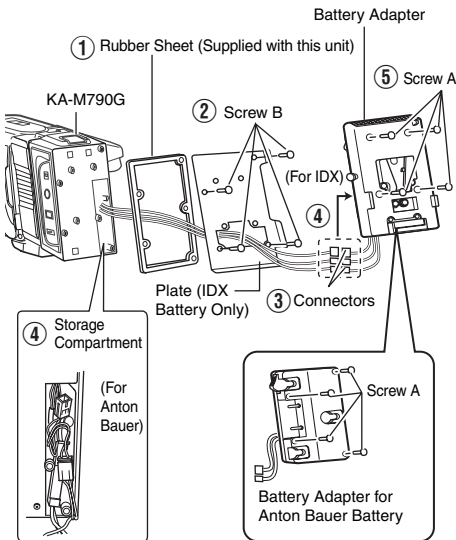
#### Note:

- Make sure that the connection wires and connectors are properly stored and do not protrude out.

#### 5 Attach the battery

#### Note:

- Do not connect a battery other than those designated. For details on the type of battery that can be connected, refer to the "INSTRUCTIONS" of the camera.





## Remote Control Unit Connection

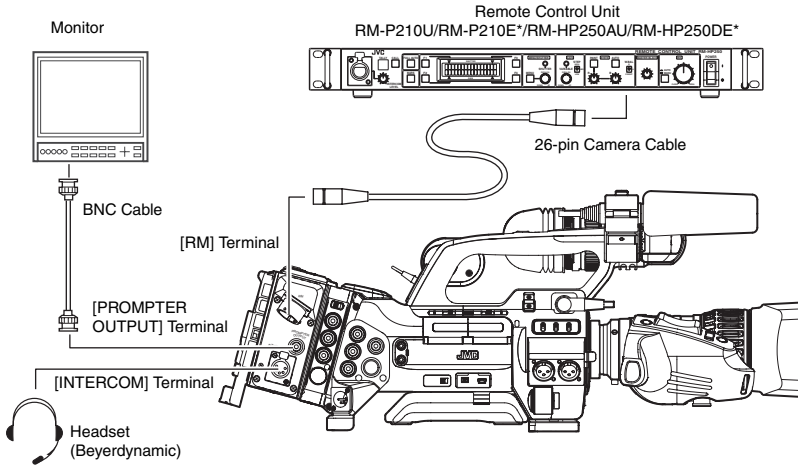
### Connecting the Remote Control Unit

#### Connection

Connect the [RM] multi-pin connector of this unit to the remote control unit using a 26-pin camera cable.

#### Note:

- Turn off the power of the remote control unit before connecting.



\* Models with an E suffix are for the European market and the UL Listing mark is not applicable.

- Use a 26-pin cable that is not longer than 100 m.
  - VC-P110U (5 m)
  - VC-P112U (20 m)
  - VC-P113U (50 m)
  - VC-P114U (100 m)
- When using an intercom headset, connect it to the [INTERCOM] terminal. (Only a dynamic microphone can be used.)
- To check the prompter video (input signal of the remote control unit's [AUX VIDEO INPUT] terminal) output from the remote control unit, connect [PROMPTER OUTPUT] terminal of this unit to the monitor using a BNC cable.

## Connecting the Remote Control Unit (continued)

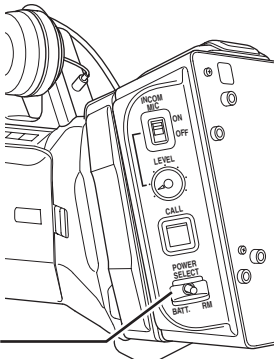
### Preparations

#### 1 Select the power supply for the camera

Select the power supply for the camera (including this unit) using the [POWER SELECT] selection switch on this unit.

#### Memo:

- Be sure to turn off the camera before operating the [POWER SELECT] switch.



[POWER SELECT]  
Selection Switch

- BATT.** : Uses power from the [DC INPUT] terminal on the camera or a battery.
- RM** : Uses power from the remote control unit connected to the [RM] connector.

#### 2 Turn on the power of the remote control unit

- Set the [POWER] switch of the remote control unit to "ON".
- The remote control unit can be operated about 10 seconds after the [POWER] switch is set to "ON".

#### Memo:

- After the [POWER] switch of the remote control unit is set to "ON", about 10 seconds are required for it to establish communication with this unit.

### Synchronizing with the Camera

#### ■ Select the device to input the Genlock signal

You can select the device to input the Genlock signal in [Genlock Input] of the [Others] menu on the camera.

- Adapter** : Inputs Genlock signal from the remote control unit via a 26-pin camera cable.
- BNC** : Inputs from the [GENLOCK INPUT] terminal (E model)/ [GENLOCK/AUX INPUT] terminal (U model) on the camera.

#### Note:

- Perform system phase adjustment on the device used for Genlock signal input.

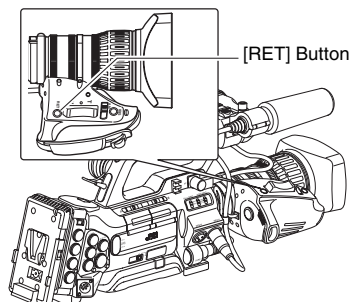
### Displaying the Return Video

#### ■ Setting

- To check the return video of the 26-pin camera cable using this unit, set [Return Input] in the [Others] menu on the camera to "Adapter".
- Select an appropriate [Return Aspect] setting in the [Others] menu on the camera according to the aspect ratio of the return video. ("16:9" or "4:3")
- Set [Camera Function] menu → [Switch Set] → [LENS RET] on the camera to "Return".

#### ■ To display the return video

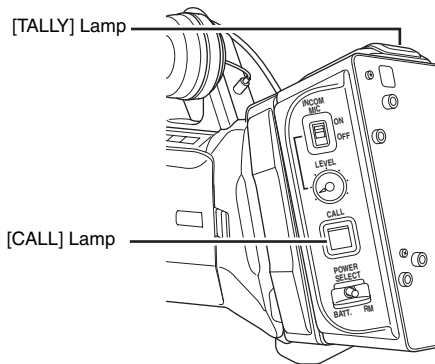
Press the [RET] button on the lens of the camera. The return video appears on the viewfinder or LCD monitor while the button is pressed down.



## Using the Tally Function and Call Function

### ■ Setting the tally system

To use the tally signal from the remote control unit and the tally lamp via the call function, set [Tally System] in the [Others] menu on the camera to “Studio”.



### ■ [TALLY] lamp display on this unit

The lamp lights up as follows when call signals or tally signals are received from the remote control unit.

TALLY (PVW) (Preview)	Lit in green
TALLY (PGM) (Program)	Lit in red
CALL	Blinks in red

#### Memo:

- If this unit (including the camera) and the remote control unit have the same switch functions, the operation of the remote control unit will have a higher priority.
- For system with RM-LP25U connected to RM-HP250AU/RM-HP250DE, the RM-LP25U setting will have a higher priority.
- If external synchronization signal is present when the power is turned on, images may appear jerky for a few seconds. This is not a malfunction.
- When using the remote control unit, make sure that you read through its instruction manual.

### ■ Call signal

- Send signal

The [CALL] button on this unit lights up in red when pressed.

Call signals are sent to the remote control unit while the button is pressed down.

The [TALLY] lamp on the remote control unit blinks while signals are being sent.

- Stopping signal transmission

Release your finger from the [CALL] button to stop sending signals.

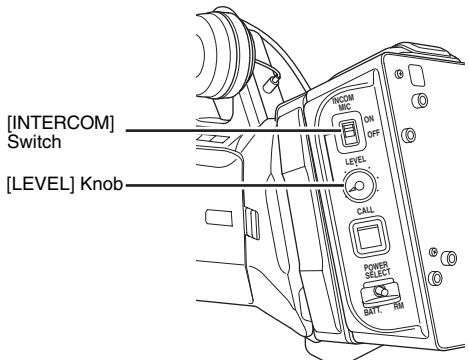
The [CALL] button lights up in green and the [TALLY] lamp on the remote control unit goes off.

#### Memo:

- When call signals are received from the remote control unit, the [TALLY] lamp on this unit starts to blink in red.

## Using the Intercom

- Connect the headset to the [INTERCOM] terminal. (Only a dynamic microphone can be used.)
- When using a headset microphone, set the [INTERCOM] switch on this unit to “ON”.
- The receiver volume level of the headset can be adjusted using the [LEVEL] knob.



## Remote Control Unit Connection

### Connecting the Remote Control Unit (continued)

#### List of Remote Control Unit Functions

Function		✓: Available –: Not available	
		RM-HP250AU/ RM-HP250DE	RM-P210U/ RM-P210E
TALLY		✓	✓
PREVIEW		✓	✓
CALL		✓	✓
FULL AUTO		✓	✓
BARS		✓	✓
SHUTTER	MODE		
	1/100 <sup>*1</sup>	✓	✓
	1/120 <sup>*2</sup>	✓	✓
	1/250	✓	✓
	1/500	✓	✓
	1/1000	✓	✓
	1/2000	✓	✓
	1/4000	✓	N.A.
	1/10000	✓	N.A.
	V.SCAN	–	–
V.SCAN LEVEL		–	–
GAIN	MODE		
	0dB	✓	✓
	+3dB	✓	✓
	+6dB	✓	✓
	+9dB	✓	✓
	+12dB	✓	✓
	+15dB	✓	✓
	+18dB	✓	✓
	+24dB	–	–
	-3dB	–	–
	ALC+EEI	✓	✓
	ALC	✓	N.A.
	VARIABLE	–	–

Function		✓: Available –: Not available	
		RM-HP250AU/ RM-HP250DE	RM-P210U/ RM-P210E
GAIN	VARIABLE LEVEL	–	–
WHITE	MODE		
	MANUAL	✓	✓
	PRESET	✓	✓
	AUTO1	✓	✓
	AUTO2	✓	✓
	FAW	✓	✓
	AUTO		
	SET	–	–
	WHITE	✓	✓
	MANUAL LEVEL		
R, B	✓	✓	
WHITE PAINT			
R, B	✓	✓	
MASTER BLACK		✓	✓
IRIS	MODE		
	MANUAL LEVEL	✓	✓
	AUTO LEVEL	✓	✓
H.PHASE <sup>*3</sup>		✓	✓
HD H.PHASE		✓	N.A.
SC	COARSE	–	N.A.
	FINE	–	N.A.

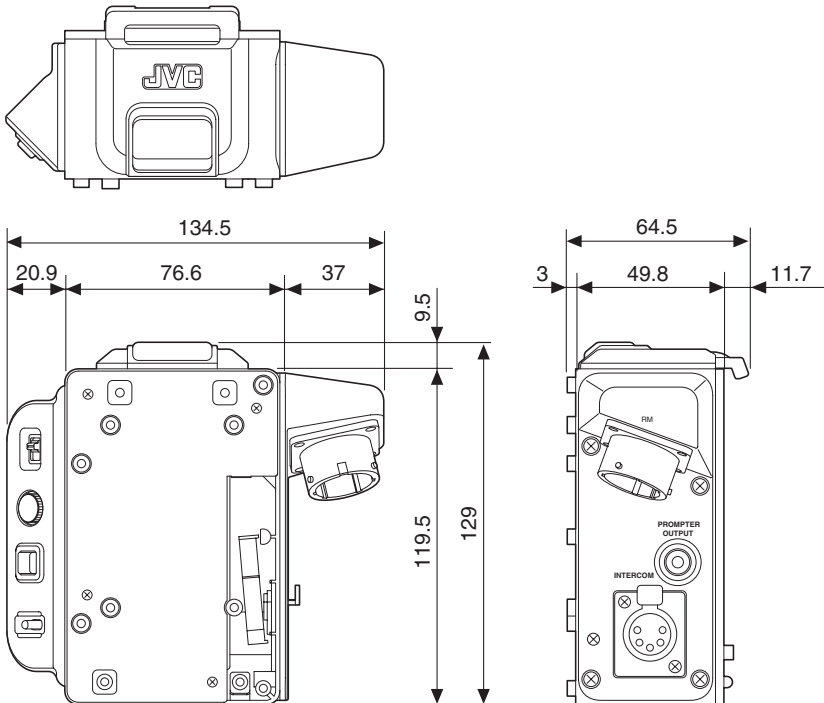
Function		✓: Available –: Not available		
		RM-HP250AU/ RM-HP250DE	RM-P210U/ RM-P210E	
DETAIL	MODE	✓	✓	
	LEVEL	✓	✓	
	V/H BAL	✓	✓	
	DTL FRQ*4			
	LOW	✓	✓	
	MIDDLE	✓	✓	
	HIGH	✓	✓	
	AUTO	–	–	
AUTO KNEE		✓	✓	
	KNEE POINT	✓	✓	
COLOR MATRIX		–	–	
GAMMA	MODE	✓	✓	
	LEVEL	✓	✓	
BLACK		✓	✓	
ASPECT RATIO		–	–	
DNR	MODE	✓	✓	
	LEVEL	–	–	
SMOOTH TRANS		✓	✓	
LOLUX		–	–	

- \*1 : Only when [Frame & Bit Rate] on the camera is set to “60”, “24”, or “30”.
- \*2 : Only when [Frame & Bit Rate] on the camera is set to “50” or “25”.
- \*3 : Equivalent to [Analog SD H Phase] on the camera.
- \*4 : Equivalent to [DTL H FREQ] on the camera.

## Specifications

RM multi-pin connector	: Composite video signal and Y/PB/PR component video signal output (26-pin)
PROMPTER OUTPUT	: Prompter video signal output (composite video, BNC)
Allowable operating temperature	: 0 °C to 40 °C
Allowable operating humidity	: 30 %RH to 40 %RH
Allowable storage temperature	: -20 °C to 60 °C
Power supply voltage	: DC 12 V
Power consumption	: Maximum 3 W
Mass	: Approx. 470 g
Accessories	: Rubber Sheet..... 1 Instructions ..... 1 Warranty Card (for USA & Canada)..... 1

■ Dimensional Outline Drawing (Unit: mm)



\* The specifications and appearance of this unit are subject to changes for further improvement without prior notice.



**KA-M790G**  
**MULTICORE REMOTE ADAPTER**

---

**JVC**