



Scan to go to website

## KT-2015SH Quick Start Guide

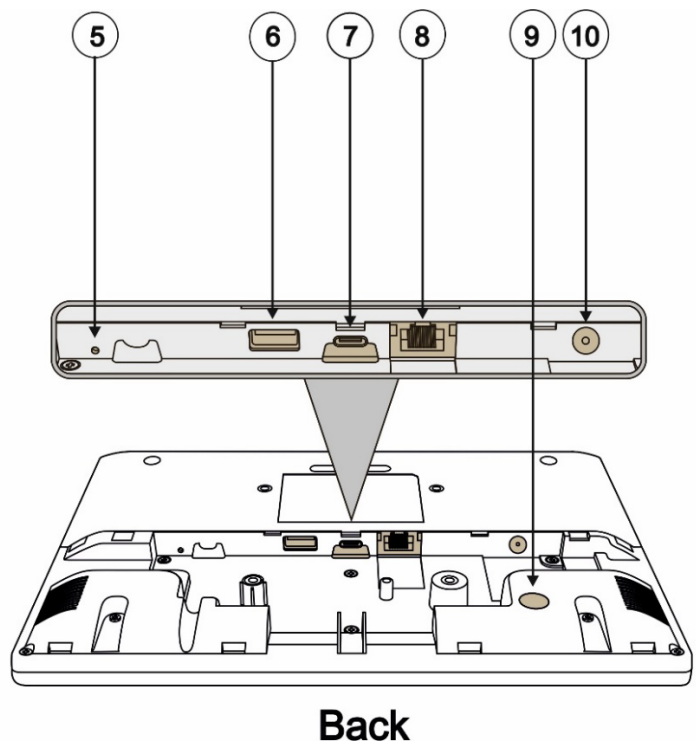
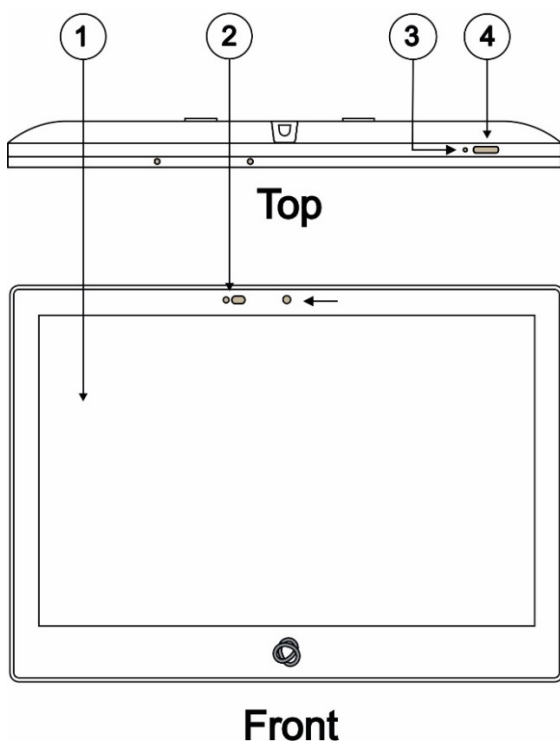
This guide helps you install and use your KT-2015SH for the first time.

Go to <https://www.kramerav.com/downloads/kt-2015SH> to download the latest user manual and check if firmware upgrades are available.

### Step 1: Check what's in the box

KT-2015SH:  15" Touch Panel  1 Quick start guide  Table stand / Wall mount  Mounting accessories

### Step 2: Get to know your KT-2015SH

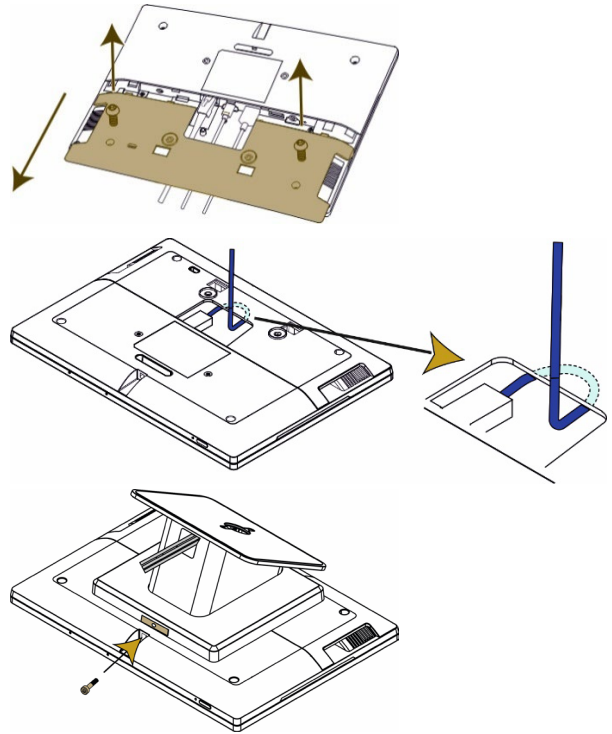


#	Feature	Function
1	Display	Touch panel
2	Proximity Sensor	Automatically adjusts the screen brightness and camera according to the room lighting conditions.
3	Reset	Located on the topside. Insert a pin and hold for a few seconds to restart.
4	Home Button	Press to wake up / darken the screen.
5	Restore Factory Reset Button	Insert a pin and hold for 22 seconds to reset the device to factory default values.
6	USB 3.0 Port	Multipurpose port for external connection.
7	USB Type-C Port	Multipurpose port for external connection.
8	LAN 1G(PoE) RJ-45 Port	Connect to the LAN for network communication. KT-2015SH are powered by PoE (power over ethernet) delivered through the LAN port. Optionally, you can connect the power adapter too (as backup).
9	Kensington Lock	Anti-theft security slot for locking the device.
10	12V/2A DC Connector	Connect to the power adapter (optional, purchased separately).

## Step 3: (Option 1) Mount KT-2015SH on a table

### Simple Mounting (moveable table stand)

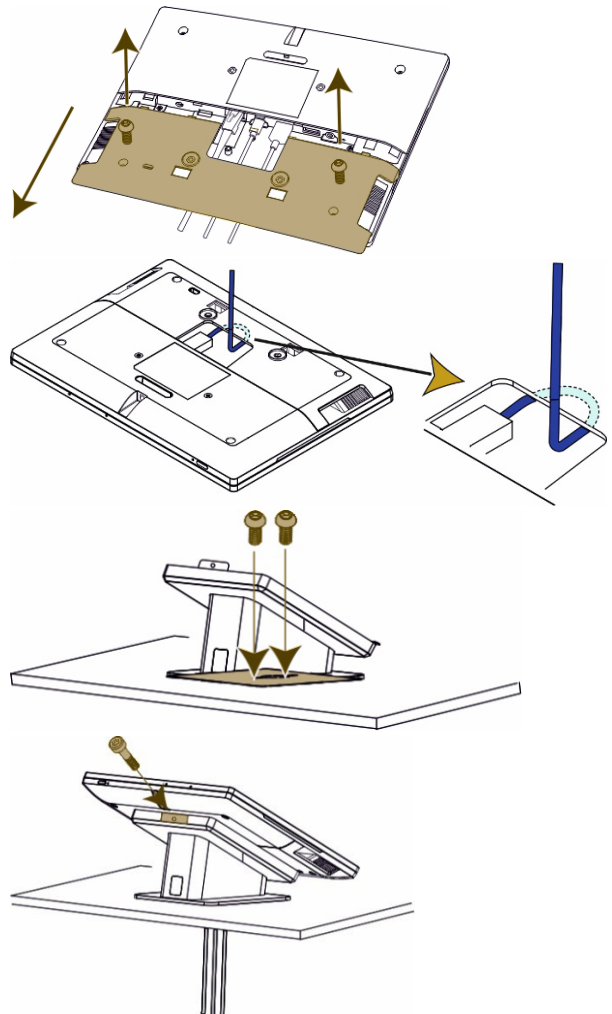
1. Remove the I/O cover:
  - Take out the 2 M2 screws.
  - Insert fingers into the two slots and slide the cover down.
2. Connect any necessary cables, running them through the table stand to the **KT-2015SH**.
3. Replace the I/O cover, taking care to prevent pressure on the RJ-45 cable:
  - Use a cable without a hood.
  - Curl the cable under the cover.
4. Close the cover with the 2 M2 screws.
5. Lay the **KT-2015SH** face-down and mount the table stand on it.
6. Insert and fasten the provided M3 screw that secures the bottom of the **KT-2015SH** to the table stand.



The table stand and touch panel are now ready for use.

### Secure Mounting (fixed table stand)

1. Remove the I/O cover:
  - Take out the 2 M2 screws.
  - Insert fingers into the two slots and slide the cover down.
2. Connect any necessary cables, running them through the table stand to the **KT-2015SH**.
3. Replace the I/O cover, taking care to prevent pressure on the RJ45 cable:
  - Use a cable without a hood.
  - Curl the cable under the cover.
4. Close the cover with the 2 M2 screws.
5. Lay the **KT-2015SH** face-down and mount the table stand on it.
6. Secure the stand to the table using the two provided 5/32" screws.
7. Mount the **KT-2015SH** on the stand and secure it with the provided M3 screw.



The table stand and touch panel are now ready for use.



For optimum range and performance use the recommended Kramer cables available at <http://www.kramerav.com/product/KT-2015SH>.

Using third-party cables may cause damage!



## Step 4: (option 2) Mount KT-2015SH on a wall

### To mount the device on a one gang box:

1. Remove the I/O cover:  
Take out the 2 M2 screws.  
Insert fingers into the two slots and slide the cover down.
2. Connect any necessary cables to the KT-2015SH.
3. Replace the I/O cover, and close with the 2xM2 screws.
4. Click the wall bracket onto the back of the I/O cover (push the bracket into place while holding its top slightly outward).

**Note:** The bracket may look slightly different and have additional screw holes.

5. Secure the wall bracket to the touch panel cover using the M3 screw.

The touch panel is mounted.

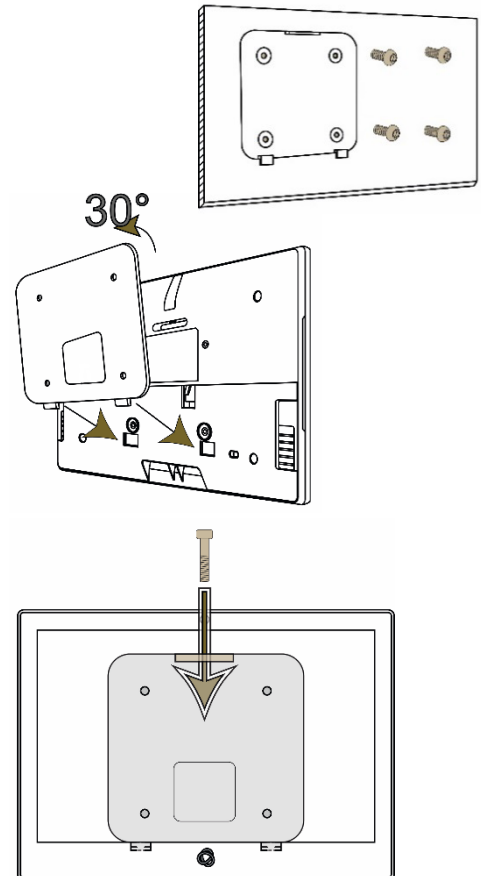
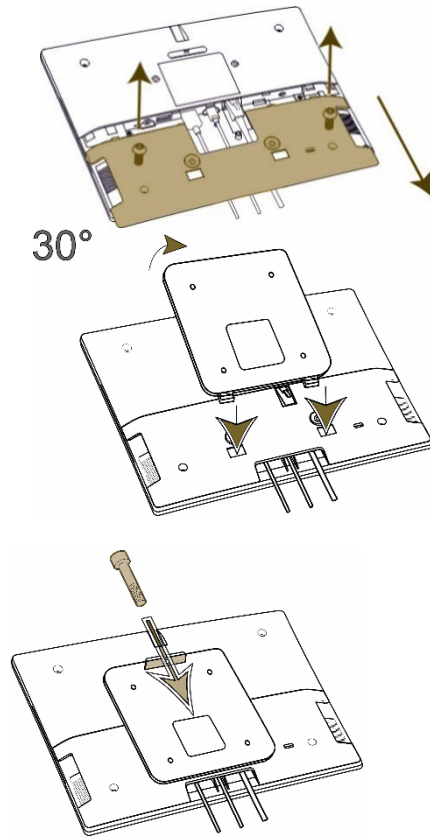
### To mount the device on a secured wall bracket:

1. Mount the wall bracket on to the installation point (screws not provided). The bracket may have additional screw holes not shown here.

2. Connect the touch panel to the wall bracket (lift it into place while holding the top of the touch panel slightly outward).

3. Use the provided M3 screw to secure the touch panel to the wall bracket and back cover.

The touch panel is mounted.



For optimum range and performance use the recommended Kramer cables available at

<http://www.kramerav.com/product/KT-2015SH>

Using third-party cables may cause damage!



## Step 5: Connect to power

KT-2015SH is powered by PoE (Power over Ethernet). When accepting power from a PoE provider, there is no need to connect a DC power supply. If you do need an external power adapter, it can be purchased separately.

Connect the device to a LAN switch with PoE: The device starts automatically when power is connected.



- Ensure that the environment (e.g., maximum ambient temperature & air flow) is compatible for the device.
- Avoid uneven mechanical loading.
- Appropriate consideration of equipment nameplate ratings should be used for avoiding overloading of the circuits.
- Reliable earthing of rack-mounted equipment should be maintained.
- Maximum mounting height for the device is 2 meters.

## Step 6: Personalize KT-2015SH settings



KT-2015SH is designed to operate with **Kramer Control**. Ideally, the operational characteristics should be defined before it is used. For more information please scan this QR code.




- By default, KT-2015SH displays the Kramer Agent interface that turns the touch panel into a controllable device interacting with Kramer Brain / Virtual Brain room control software. The Brain IP needs to be setup (see step 6).

The following setup steps are recommended before using your touch panel:

### 1. Exit the Kramer Agent:

- Swipe up from the Kramer logo to display the PIN entry pop-up or click RESET PIN. **The default PIN is 9428.** The bottom navigation bar will pop up; Press the circle to access the Home screen.

### 2. Set the device's time and date:

- On the Home screen, press the **Settings** icon  and then select **Date & time > Time zone** and set the **Region**.

### 3. Setup the Ethernet connection:


- On the Home screen, press the **Settings** icon  and then select **Network & Internet > Ethernet**.

For detailed information, see "Connecting to Ethernet" in the user manual at [https://www.kramerav.com/product/kt-2015sh#Tab\\_Resources](https://www.kramerav.com/product/kt-2015sh#Tab_Resources) (QR code).



### 4. (optional) Change the time of OS firmware updates:

By default, the system checks for firmware updates at midnight: Updates are automatically downloaded and installed.

- To change FW update settings, in the **Settings**  screen select **Firmware update > Remote firmware update**.
- Press the time to change the time. Clear the URL to prevent automatic updates (updates will be manual).


### 5. (optional) Change the time of Kramer Agent (APK) updates:

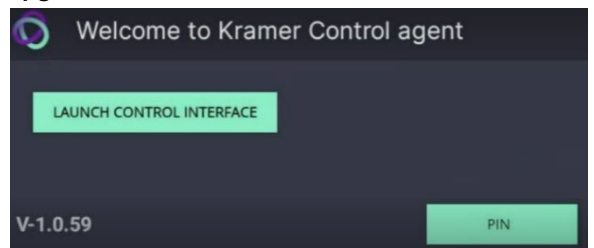
By default, the system checks for Kramer Agent updates at midnight.

- To change APK update settings, open the **Settings**  screen and select **Remote APP upgrade URL**.
- Press the time to change the time. Clear the URL to prevent automatic updates (updates will be manual).

**Note:** Factory resets delete the Kramer Agent but not the **Remote APP upgrade URL**

### 6. Setup the Kramer Agent to display your Control Interface:

- If the Kramer Control Agent is not running, then on the touch panel's Home page, open the **Kramer Agent** app (icon ).
- Press **Launch Control Interface** and enter the IP address and port of the interface you defined in Kramer Brain, for example "https://<Brain-IP>:8001". The hardware section of the builder's Brain info contains the IP:port# of the Brain.



The touch panel's link to the Kramer Control interface can also be set up from a laptop browser on the network or from the Brain. For more information see the touch panel's user manual, in the Resources tab at [www.kramerav.com/product/KT-2015SH](http://www.kramerav.com/product/KT-2015SH) or scan the QR code.

**Note:** Entering a "generic" URL such as [www.google.com](http://www.google.com), will display that page.



Specifications are subject to change without notice at [www.kramerav.com](http://www.kramerav.com)