

TL-9542B 4-CHANNEL MPEG2/MPEG4 TO ATSC/QAM HD ENCODER MODULATOR

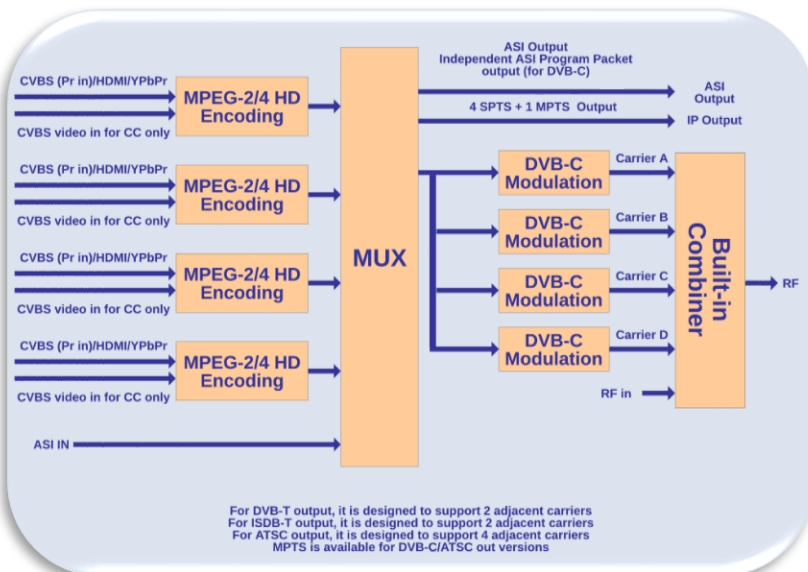
TL-9542B is an all-in-one device that integrates encoding (MPEG-2, MPEG-4/AVC H.264) and modulation to convert HDMI/YPbPr /CVBS (Pr in) signals to digital RF output. To meet customers' various requirements, TL-9542B is also equipped with 1 ASI input, and output with 2 ASI ports and 1 IP port.

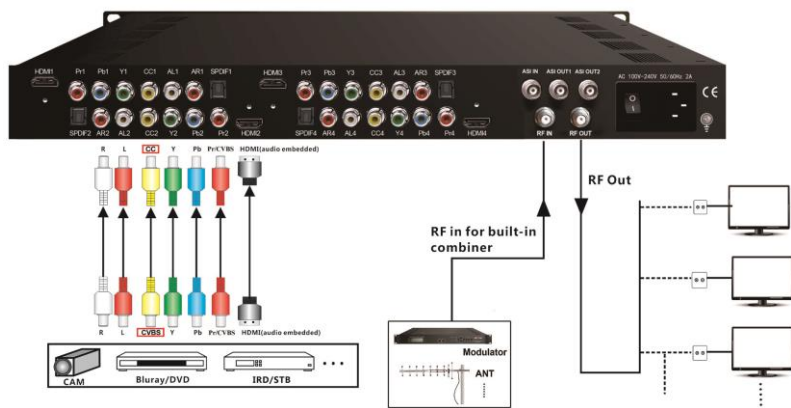
The signals source could be from satellite receivers, closed-circuit television cameras, blue-ray players, antenna etc. Its output signals are to be received by TVs, STB, etc., with corresponding standard.



KEY FEATURES

- 🔥 MPEG2 HD & MPEG4 AVC H.264 HD video encoding
- 🔥 DD AC3 (2.0), MPEG4-AAC, MPEG2-AAC, MPEG1 Layer II audio encoding
- 🔥 Supports DD AC3 (2.0/5.1/7.1) passthrough (for HDMI interface only)
- 🔥 4*HDMI/YPbPr/CVBS (Pr_{in}) channels in
- 🔥 1*ASI in for re-mux; 1*RF_{in} for RF mix
- 🔥 2*DVB-T RF_{out} (4* DVB-C RF, 2*ISDB-T,4*ATSC out optional); ASI_{out}; IP_{out}
- 🔥 Supports EAS control for DVB-C and ATSC RF out
- 🔥 Support CC (Closed Caption) EIA608, (from CVBS source)
- 🔥 Supports Low latency
- 🔥 LCN (Logical Channel Number) support
- 🔥 VCT (Virtual Channel Table) support - for DVB-C & ATSC
- 🔥 Excellent modulation quality
- 🔥 Web-based NMS management; Updates via web





Encoding Section - Video

Encoding	MPEG2; MPEG4 AVC/H.264
Interface	HDMI*4
Resolution	1920*1080_60P, 1920*1080_50P (For MPEG 4 AVC/H.264 only), 1920*1080_60i, 1920*1080_50i, 1280*720_60p, 1280*720_50P
Low Delay	Normal, Mode 1, Mode 2
Aspect Ratio	4:3; 16:9

Encoding Section - Audio(HDMI)

Encoding	MPEG1 Layer II; MPEG2-AAC; MPEG4-AAC; DD AC3 (2.0) optional; DD AC3 (2.0/5.1/7.1) passthrough
Interface	HDMI*4 /SPDIF*4
Sample rate	48KHz
Bit rate	64/96/128/ 192/256/320kbps

Video (CVBS/YPbPr)

Encoding	MPEG2; MPEG4 AVC/H.264
Interface	CVBS/YPbPr*4 (RCA)
Resolution	CVBS: 720*576_50i, 720*480_60i YPbPr:1920*1080_60i, 1920*1080_50i; 1280*720_60p, 1280*720_50P

Audio (L/R)

Encoding	MPEG1 Layer II; MPEG2-AAC; MPEG4-AAC; DD AC3 (2.0) optional
Interface	1*Stereo/2*mono/1*SPDIF per channel
Sample rate	48KHz
Bit rate	64/96/128/ 192/256/320kbps

General

Power supply	AC 100V~240V
Dimensions	482*400*44mm
Weight	4.5 kg

Modulator section - ATSC

Standard	ATSC A/53
Constellation	8 VSB
RF output level	-30~-10dbm (77~97 dbμV), 0.1db step
MER	≥42dB
RF frequency	30~999MHz, 1KHz step

Modulator Section - ISDB-T

Standard	ARIB STD-B31
Constellation	DQPSK, QPSK, 16QAM, 64QAM
Guard Interval	1/32, 1/16, 1/8, 1/4
Transmission Mode	2K, 4K, 8K
Guard Interval	1/32, 1/16, 1/8, 1/4
Code rate	1/2, 3/4, 5/6, 7/8
RF frequency	30~999MHz, 1KHz step

Modulator Section - DVB-T

Standard	EN300744
FFT mode	2K, 8K
Bandwidth	6M, 7M, 8M
Constellation	QPSK, 16QAM, 64QAM
Guard Interval	1/4, 1/8, 1/16, 1/32
FEC	1/2, 2/3, 3/4, 5/6, 7/8
MER	≥42dB
RF frequency	30~960MHz, 1KHz step
RF out	COFDM DVB-T out (2 carriers combined out)
RF output level	-30~-10dbm (81~97 dbμV), 0.1db step

Modulator Section - DVB-C

Standard	J.83A (DVB-C), J.83B, J.83C		
MER	≥43dB		
RF frequency	30~960MHz, 1KHz step		
RF output level	-30~-10dbm (77~97 dbμV), 0.1db step		
Symbol rate	5.000~9.000MSPS adjustable		
RF Out	4*DVB-C adjacent carriers combined output		
Constellation	J.83A 16/32/64/ 128/ 256 QAM	J.83B 64/256 QAM	J.83C 64/256 QAM
Bandwidth	8M	6M	6M

System

Local interface	LCD + control buttons
Remote management	Web NMS
Stream Out	2 ASI mirrored out (BNC type, 100M); IP (4 SPTS+1MPTS) over UDP, RTP/RTSPout, RJ45, 100M (MPTS is available for DVB-C/ATSCout)
NMS interface	RJ45, 100M
Language	English

