

HEMEXA
HDMI 2.0 Audio Embedder/Extractor
Quick Start Guide



Contents

Product Overview	2
Features and specifications	2
What is in the box	3
Connections	3

Product Overview

The HEMEXA provides analog audio embedding, and analog/digital audio extraction for HDMI 2.0 video/audio systems.

Features and specifications

Support Video format	4Kx2K/1080P/1080i/720P/576P/576i/480P/480i 3D video
Support Video Color Format	xv-YCC/deep color 36bit
Support Audio Format	PCM、DTS-HD Master Audio、Dolby true-HD etc.
Data transfer speed rate	18Gbps (Maximum)
HDCP	Compliant HDCP2.2/1.4
Power consumption	1.5watts(Maximum)
Dimension (L×W×H)	104.4x89x28.3mm
Net Weight	155g
Operating Temperature Range	-5 to +40°C(+23 to +104°F)
Operating Humidity Range	5 to 90%RH (No Condensation)

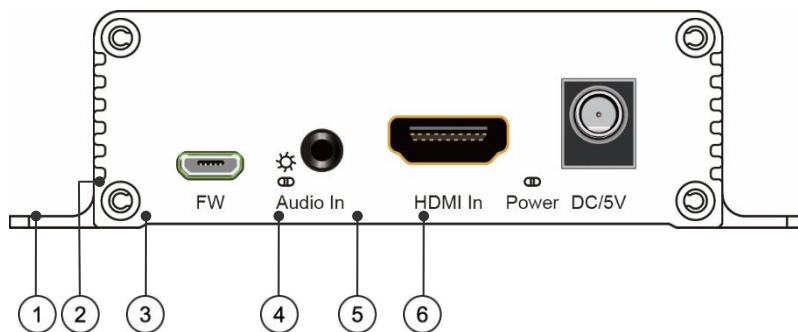
Input Video Signal	0.5-1.0 Volts P-P
Input DDC Signal	5 volts p-p(TTL)

What is in the box

- HEMEXA audio embedder/extractor
- 110-240 VAC 50/60Hz to 12VDC power adapter

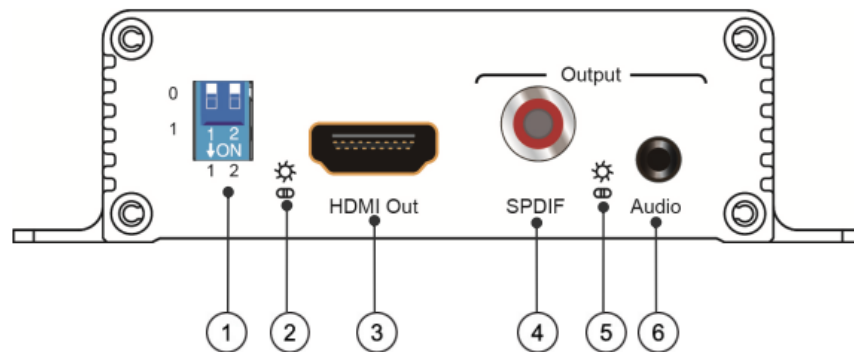
Connections

Front Panel



- ① USB micro 5P port for upgrading the firmware. ② Audio Indicator
 ③ Audio input ④ HDMI input
 ⑤ Power indicator ⑥ DC5V

Back Panel



① Audio configuration

	Configuration
00	Audio Embedded
01	PCM2.0 Audio Extraction
10	5.1 Audio Extraction
11	By pass

- ② HDMI output ③ HDMI out indicator
 ④ SPDIF Audio output ⑤ Analog Audio output

- 1) Connect the HDMI signal source into HDMI input of HEMEXA.
- 2) Connect the HDMI display device into HDMI output of HEMEXA.
- 3) Connect Optical audio cable or RCA audio cable to Amplifier.
- 4) Connect DC 5V power to the HEMEXA.

Application Diagram

