



RPS-1218  
18-Channel 12V DC Rack Power Supply  
USER MANUAL



PureLink™  
22-10 State Rt. 208  
Fair Lawn, NJ 07410 USA  
Tel: +1.201.488.3232  
Fax: +1.201.621.6118  
E-mail: [sales@purelinkav.com](mailto:sales@purelinkav.com)

For order support, please contact your [local rep.](#)  
For technical support, please contact us at [support@purelinkav.com](mailto:support@purelinkav.com)

## Table of Contents

<b>What's in The Box .....</b>	<b>3</b>
<b>Product Description.....</b>	<b>4</b>
<b>Things to Know Before You Start .....</b>	<b>7</b>
<b>Setting your computer to communicate with VIP-STREAM-100.....</b>	<b>Error! Bookmark not defined.</b>
<b>Network switch requirements .....</b>	<b>Error! Bookmark not defined.</b>
<b>Network switch recommendations .....</b>	<b>Error! Bookmark not defined.</b>
<b>Setting Up a VIP-STREAM-100 System: .....</b>	<b>Error! Bookmark not defined.</b>
<b>Connections.....</b>	<b>7</b>
<b>Encoding.....</b>	<b>Error! Bookmark not defined.</b>
<b>Decoding/Viewing with VLC Player .....</b>	<b>Error! Bookmark not defined.</b>
<b>Decoding/Viewing with YouTube Live .....</b>	<b>Error! Bookmark not defined.</b>
<b>Decoding/Viewing with Facebook Live.....</b>	<b>Error! Bookmark not defined.</b>
<b>Glossary .....</b>	<b>Error! Bookmark not defined.</b>
<b>PureLink™ Three (3) Year Limited Warranty .....</b>	<b>9</b>

## What's in The Box

### RPS-1218

- 1 x RSP-1218 1U Rack Power System
- 1 x IEC Power cable for 120VAC

### Optional Accessories

- RPS-12VDC-leadpack

User Manual can be found online in the Resources tab of the VIP-STREAM-100 product page.

## Product Description

The RPS-1218 rack power supply system provides eighteen channels of 12 VDC outputs using installation convenient phoenix output connectors. Each output is protected by an automatic PTC fuse, providing protection from overcurrent and shorts. Output channels 1 through 16 provide up to

## Specifications

### General Specifications

Voltage per output	12 VDC
Current per output 1 thru 16	1.6 A MAX each
Current per output 17 thru 18	5 A MAX each
Total current output	20 A MAX
Number of outputs	18
Interface	Front panel volt/current digital meter
Calibration	Rear panel fine output adjustment
Protection	PTC fuse per channel
output connections	phoenix
Input Voltage	110-220 VAC 50/60 Hz switch selectable
Input connection	IEC 320 - NEMA 5-15P power cable (supplied)
Power Consumption	Max load ~400 Watts
Operating Temperature	-10 to +40 C
Storage Temperature	-14 to +86 C
Relative Humidity	

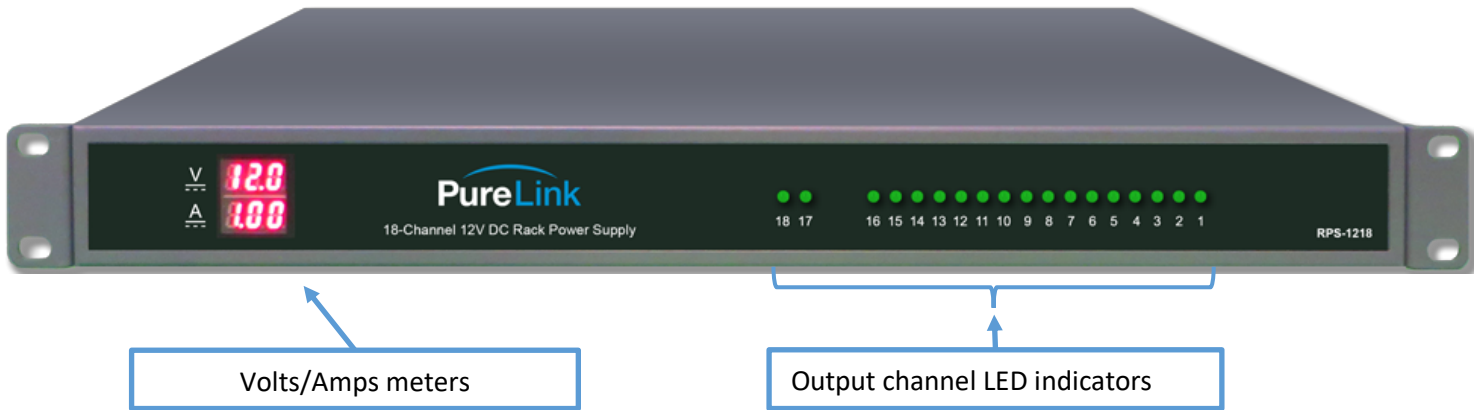
### Enclosure

Enclosure Type	Steel, powder coated
Rack-Mounting Option	Yes, 1U
Product Dimensions	51 x 28 x 9.6 cm
Product Weight	4KG

### Warranty

HDTTools	Limited Warranty (3-Years)
----------	----------------------------

## Front Panel



### *System output voltage meter*

Provides real time voltage level to all outputs

### *System output amperage meter*

Provides real time total current draw of outputs

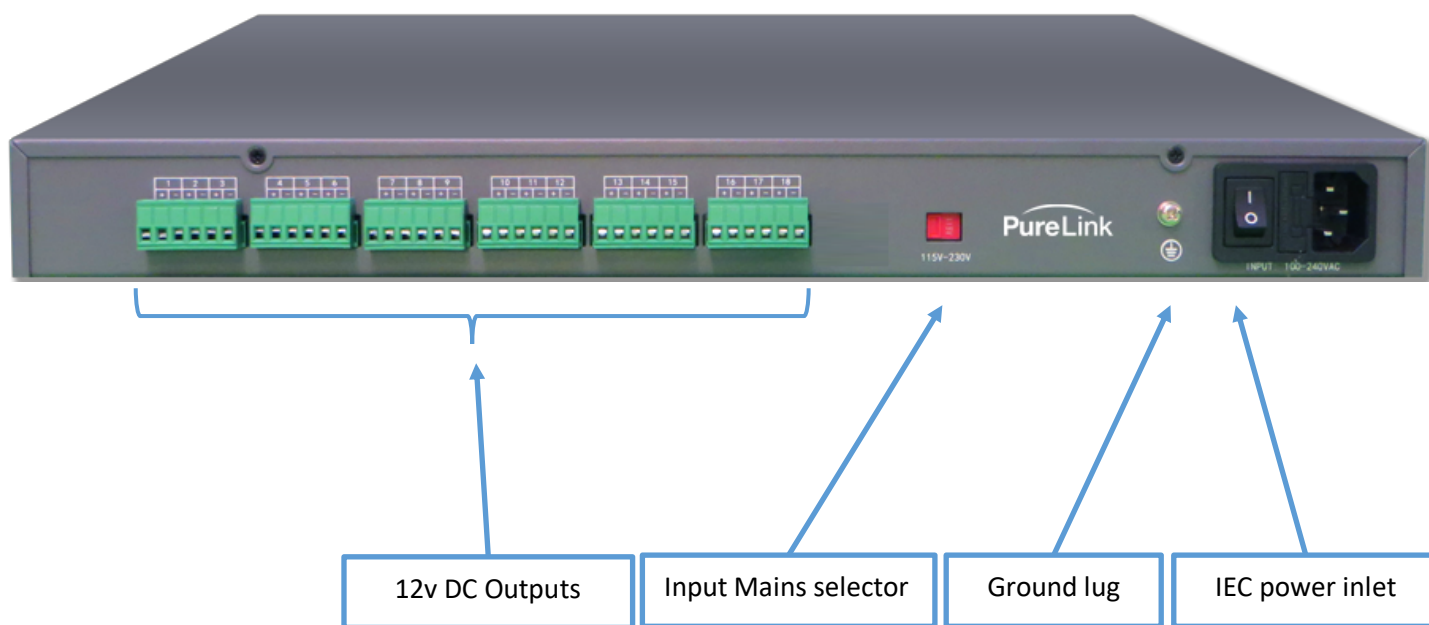
### *Master output voltage fine adjustment*

Allows fine tune adjustment of system output voltage level

### *Output channel status indicators*

Displays on/off status of each output channel. Normally on (green led), off condition would indicate PTC fuse activation.

## Rear Panel



## Operation

Make sure the input mains selector switch on the rear panel is set correctly to your mains power input before attempting to operate the product.

It is recommended to complete all connections, including termination and polarity verification of outputs leads to phoenix connectors, before attempting to operate the product.

## Connections

### Outputs

Securely attach your power leads to the correct pins of the phoenix connectors. The polarity for the connectors is silkscreened on the back of the product.



Make certain that at no time are any of your leads exposed where they may be grounded when turning on the product.

### Outputs 1-16

The maximum current capacity of each output 1 through 16 is 1.6 Amps. Please note the total current capacity of the RPS-1218 is 20 Amps.

### Outputs 17-18

The maximum current capacity of each output 17 and 18 is 5 Amps. Please note the total current capacity of the RPS-1218 is 20 Amps.

## Turning on the product

After turning on the product, the voltage and current meters will show the total energy available and load of connected devices. There is a fine adjustment for the voltage on the front panel for you to make any minor adjustments to the output voltage for all channels.

Each channel LED should be lit green indicating they are in a working state.

### **Ventilation**

The product has side mounted fans and performs lateral airflow. Make sure that the fans are not obstructed or impeded, and the operating environment is within product specifications.

### **PTC fuse protection**

In the event of a PTC fuse engaging, the fuse will automatically reset upon correction of a short condition, and/or reduction of thermal overload.



## PureLink™ Three (3) Year Limited Warranty

Dtrovision, LLC. (hereinafter “PureLink”) warrants its HDTools™ and PureStream™ branded products (hereinafter “Product”) purchased directly from PureLink or Dealer shall be free from defects in workmanship and materials, under normal use and service, for a period of three (3) years on parts and three (3) years on labor. Any repaired or replaced equipment related to Product shall be covered only under the remaining portion of the warranty. This warranty has no relationship to and exists independently of any warranty offered by Dealer. This warranty is a limited warranty and gives you specific legal rights. You may also have other rights which vary from state to state.

### TERMS & CONDITIONS

PureLink shall repair or replace the Product if it develops a material fault during the period of warranty, on condition that i) the Product has only been subject to normal use in a domestic or commercial environment in a manner consistent with its specification and functionality, ii) the Product has been cared for reasonably and only subjected to reasonable wear and tear, iii) the defect has not been caused by willful or negligent abuse or neglect, or any accident or improper installation procedure, iv) the serial number of the Product has not been altered or removed.

This warranty only applies to the original purchaser, and shall be the exclusive remedy to the original purchaser. PureLink shall not be liable for any damages whatsoever caused by Product or the failure of Product to perform, including incidental or consequential damages. PureLink shall not be liable for any claim made by a third party or made by the purchaser for a third party.

Except as expressly set forth in this warranty, PureLink makes no other warranties, expressed or implied, including any implied warranties of merchantability and fitness for a particular purpose. PureLink expressly disclaims all warranties not satisfied in this limited warranty. Any implied warranties that may be imposed by law are limited to the terms of this limited warranty. This warranty statement supersedes all previous warranties.

### WARRANTY/RETURNS/REPAIRS/EXCHANGES

No merchandise may be returned without prior authorization from PureLink, and a Return Materials Authorization (RMA) number. Failure to comply with these conditions will result in rejection of the returned merchandise.

Any warranty service on Products must be arranged through Dealer. Authorized returns must be shipped freight prepaid and fully insured to PureLink, Ramsey, NJ USA, with the RMA number clearly marked on the outside of all shipping boxes and containers. PureLink reserves the right at its sole discretion to refuse any shipments arriving freight collect or without an RMA number. Any authorized returned merchandise must be accompanied by a note describing the reason for return, along with contact information including name, phone number, return mailing and shipping addresses, e-mail address, and RMA number.

On any products returned and accepted with an RMA number, return freight charges following repair of items under warranty shall be paid by PureLink, shipping by the standard ground carrier of its choice.

### ADVANCE WARRANTY REPLACEMENTS

PureLink’s advance replacement service offers a Replacement Unit upon request - free of charge for eligible products purchased less than one (1) year of the warranty claim. Products purchased more than one (1) year prior to the warranty claim do not qualify for advance replacement services.



Advance replacement requests must be validated by a member of PureLink's Technical Support Team. Replacement units may be new or refurbished and is subject to availability. PureLink is responsible for shipping the Replacement Unit to your designated location by standard ground service. All other shipping methods will be responsibility of the Dealer.

**Original Unit Return** – the Original Unit must be returned within thirty (30) calendar days of the return authorization date. Failure to return the Original Unit within this period will be subject to a minimum 15% re-stocking fee. Dealer is solely responsible for the shipping of the Original Unit to PureLink.

### TO MAKE A WARRANTY CLAIM

To make a warranty claim, promptly notify PureLink within the warranty periods described above by calling PureLink's Technical Support Department at 1-201-488-3232. PureLink, in its sole discretion, will determine what action, if any, is required under this warranty.

Most problems can be corrected over the phone through close cooperation between Customer and a PureLink technician. To better enable PureLink to address a warranty claim, please have the Product's serial and model numbers. If PureLink, in its sole discretion, determines that an on-site visit or other remedial action is necessary, PureLink may send a representative to Customer's site.

### CUSTOMER SERVICE

Technical support inquiries can be submitted electronically at [www.purelinkav.com](http://www.purelinkav.com).  
For immediate assistance please contact PureLink's Customer Care Team at +1 (201) 488-3232