

# EXTEND

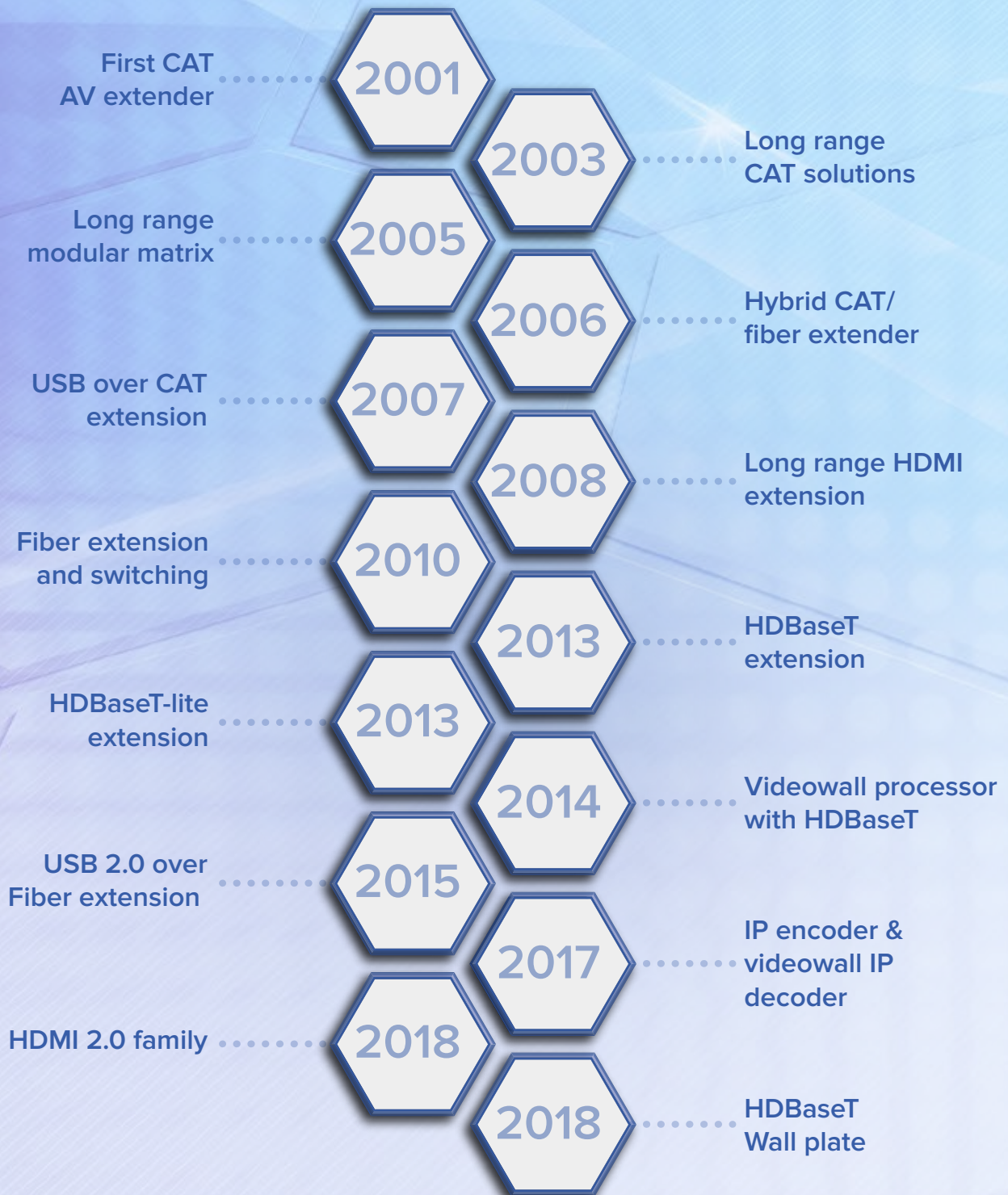
Extension solutions for all AV signals

Supporting mission-critical AV installations world-wide.  
We Engineer Confidence.





## tvONE extender product development timeline



## The tvONE difference:

Suffering from degraded video? Step up to tvONE's leading range of reliable and robust video extension solutions. Choose from our range of cost effective, ultra-high performance and flexible extenders; 4K, HDMI, VGA, RGB, CV, Copper and Fiber - we have the perfect solution for you!

### Extender selection guide:

**Distance** – Determining the distance is a key factor when choosing the right solution. tvONE offers the widest reach, from 197 feet (60 meters) to over 18 miles (30 Kilometers). All solutions are fully tested in real-world environments, guaranteeing system performance no matter the emissions and interference from other video signals, power or air conditioning. This means there are no “up to’s” with tvONE, just a guarantee we go the full distance!

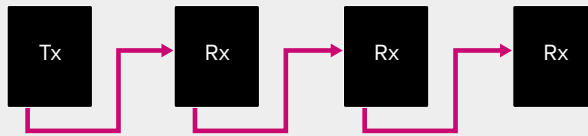
**Cable** – When it comes to extending video you can choose from UTP cable (Cat 5e or Cat 6) or Fiber. UTP is the perfect solution for most applications, but for a longer reach or power isolation (i.e. Medical operating rooms) choose Fiber.

**Topologies** – Select the best design solution for the ultimate workflow. Options include:

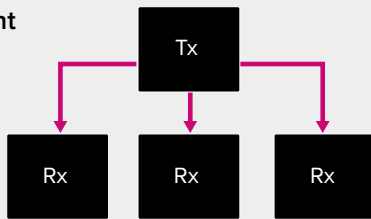
#### Point-to-point



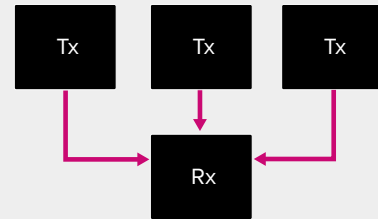
#### Daisy Chain



#### Point to multi-point

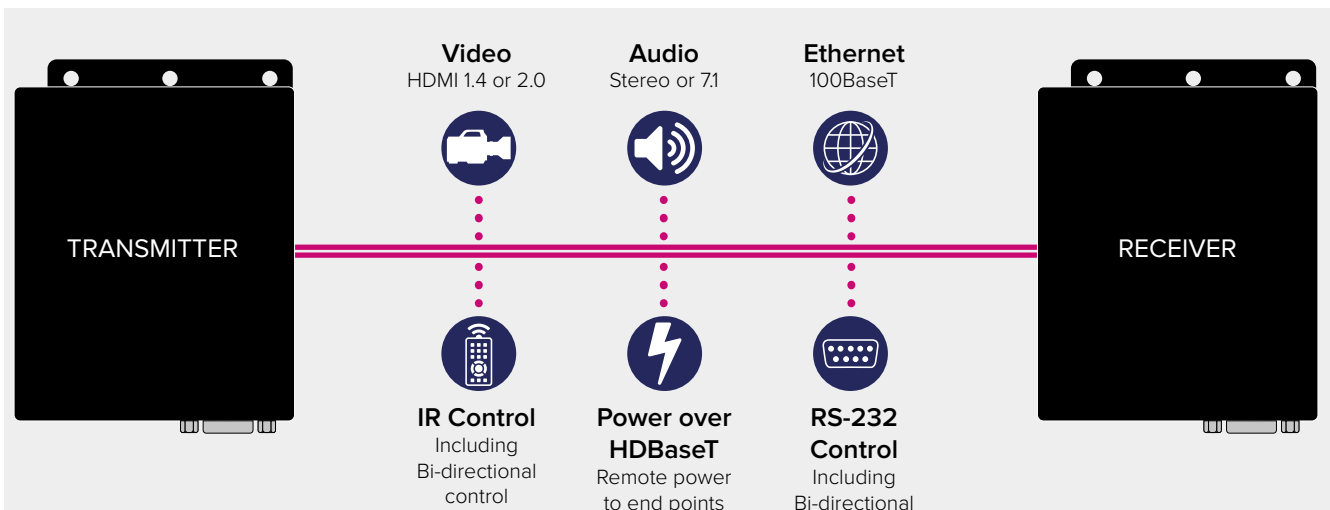


#### Switch



Other options include distribution, auto-switch and matrix switching.

**Function** – Choose from a wide range of functionality to meet your specific requirements.



Topologies:



Distance: Up to 500' (150m)



New London Architecture (NLA)

## Short to medium range point-to-point extension

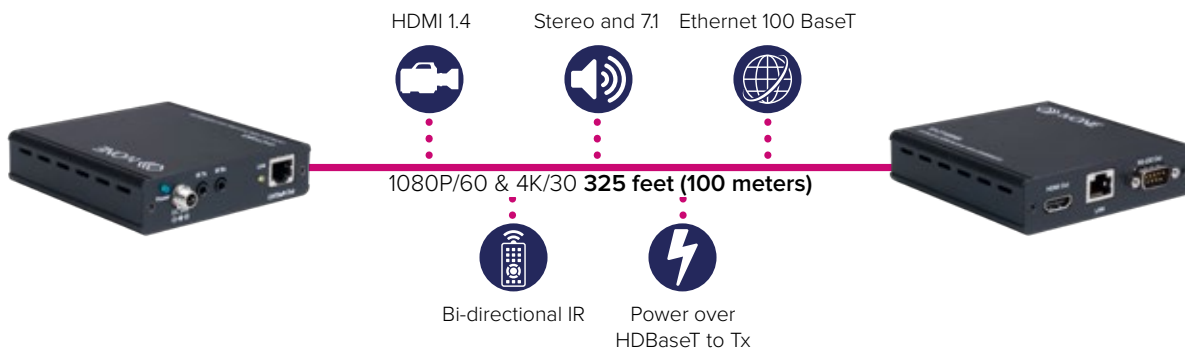
HDBaseT is a globally recognized standard for the transmission of HDMI audio and video over standard CAT cables. The 1T-CT-64x & 1T-CT-65x series offer the benefits of HDBaseT at a competitive price point.

### HDBaseT Lite Extension



The 1T-CT-64x series uses HDBaseT Lite technology in a compact form factor for the transmission of HDMI 1.4 signals including 1080p, 3D and UHD/4K. Together, the 1T-CT-64x series has full audio support including LPCM 7.1CH, Dolby TrueHD, Dolby Digital Plus and DTS-HD.

### HDBaseT 5-PLAY Extension



The 1T-CT-65x series uses HDBaseT technology for HDMI 1.4 signals including 1080p, 3D and UHD/4K formats together with support for audio including LPCM 7.1CH, Dolby TrueHD, Dolby Digital Plus and DTS-HD. Add to this, the Receiver can be powered by either the PoH Transmitter or local power.

### Compatible tvONE products



1T-CT-647: 7-port HDBaseT Lite Transmitter



MX-8488: 8x8 HDMI/HDBaseT matrix



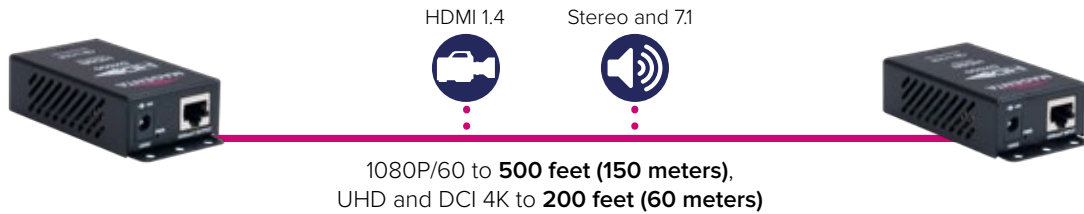
C3-503: CORIOmaster micro 4K video processor



## Superior point-to-point extension

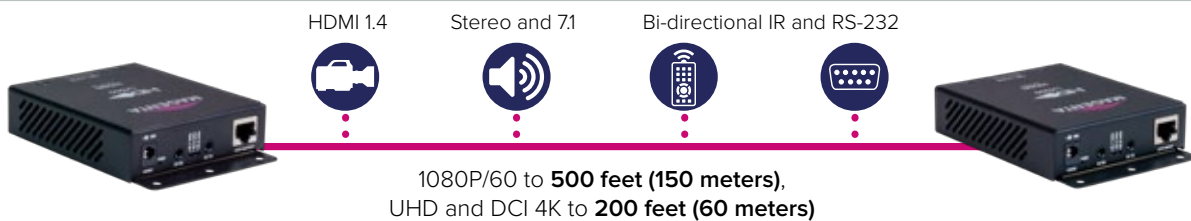
HD-One extension delivers ultra-reliable HDMI extension with real performance and distances up to 500 feet (150 meters) using Cat 5e, Cat 6 and Cat 7 cables, together with class leading performance in environments with emissions and interference.

### HDBaseT Extension



The HD-One DX series is available in HDBaseT and extended range variants in a compact form factor for the transmission of HDMI 1.4 signals including 1080p, 3D, UHD/4K and 4K DCI. Together, the HD-One DX series has full audio support including LPCM 7.1CH, Dolby TrueHD, Dolby Digital Plus and DTS-HD.

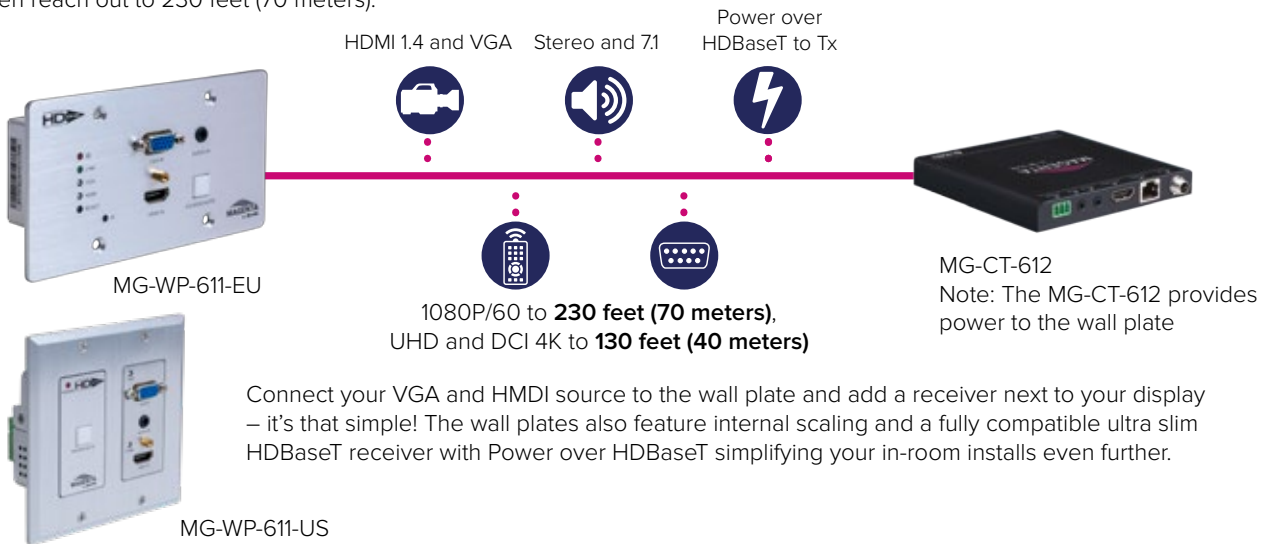
### HDBaseT Extension with control



The HD-One LX series offers the same superior performance of the DX Series with additional support for bi-directional RS-232 and two-way, triple band Infrared signals.

### Wall plate Transmitters

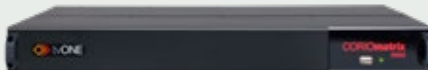
The proven reliability of the HD-One series also comes in a high quality anodized wall plate version that is available in both US and EU form factors. The MG-WP-611-US and MG-WP-611-EU are perfect for corporate and meeting room installs with proven reach out to 230 feet (70 meters).



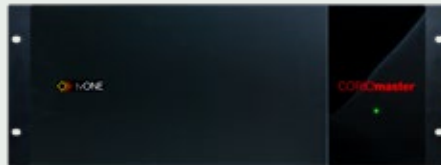
### Compatible tvONE products



CORIOview: 4K multi-window viewer

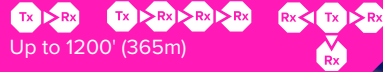


C3-310: CORIOmatrix mini  
4K universal scaling matrix router



C3-540: CORIOmaster  
4K video processor

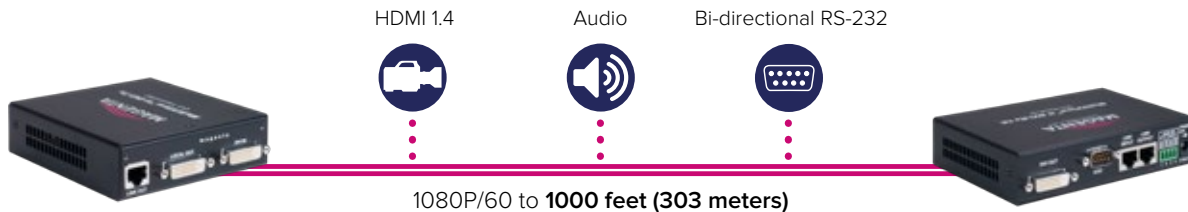
Topologies:



© Antoine Tavernier/utx

## Long range copper extension (MultiView Series)

Multiview guarantees uncompressed performance with distances to 1000ft (303m) for HDMI and 1200ft (365m) for analog signals, using Cat5e/6 cable, together with industry leading performance in environments with emissions and interference. Auxiliary data options include serial control and audio as well as screen cascading and local monitor outputs.



Easily adapt to any application footprint. Transmitters can be cascaded and receivers can be daisy chained to deliver video, audio and control signals from a single source to hundreds of displays.

DVI Transmitter



CAT Out  
Local display Out\*  
DVI In\*



DVI Out\*  
CAT In  
CAT Out

DVI Receiver

\*HDMI & HDCP compatible

### Combating the Skew Factor

Variance in twist rates of standard CAT cable results in a color shift on the RGB channels. This "skew" can become noticeable at higher resolutions and longer distances. To combat skew, utilize approved skew-free cables or choose the AkuComp II option with Magenta receivers. Skew compensation is automatic with all MVII DVI Receivers.



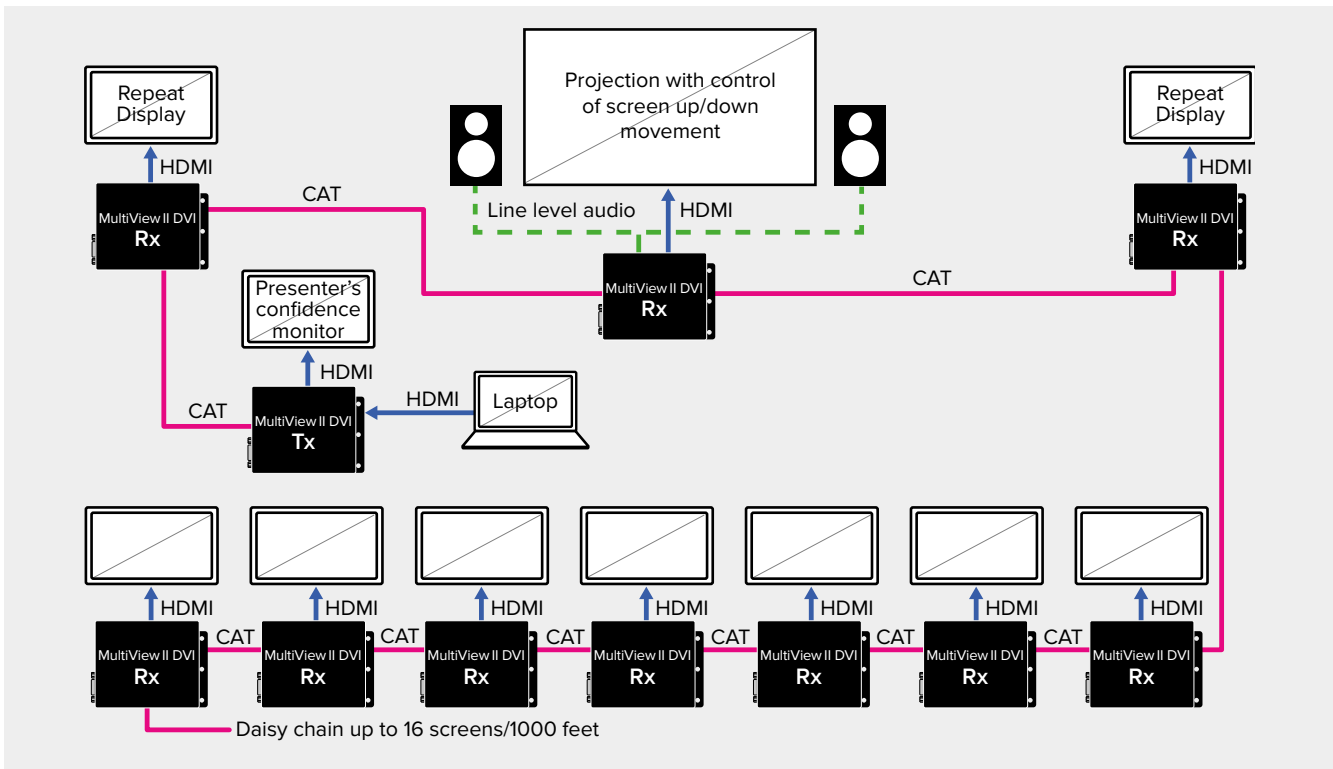
### MultiView family products



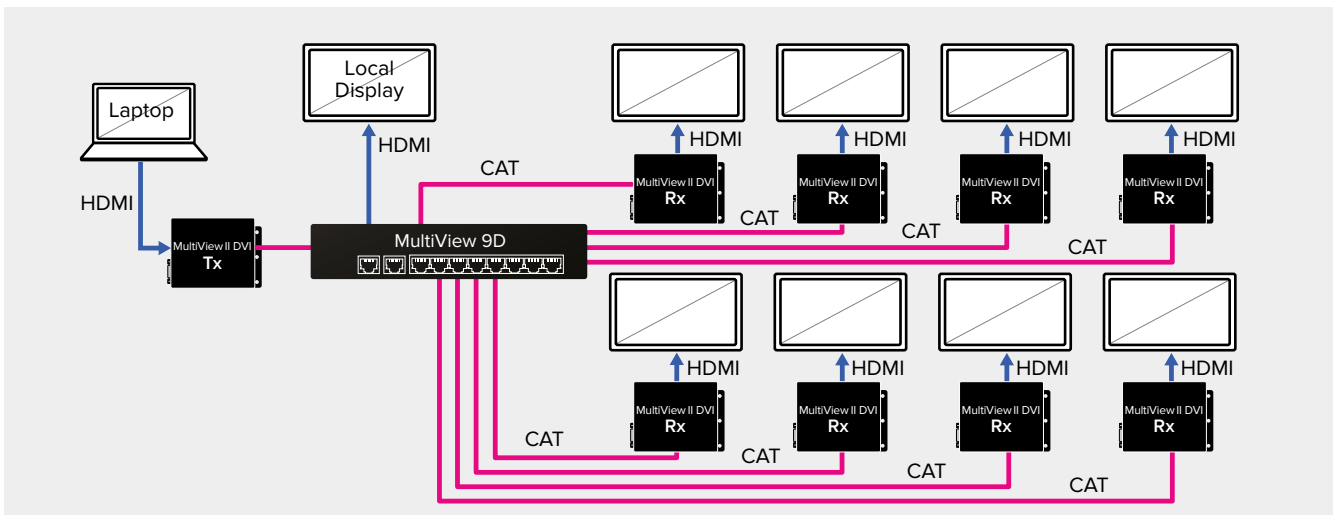
1. Standard Analog Tx
2. Analog Extended Range Tx
3. Analog Four port Tx
4. Eight port Analog Tx
5. DVI Tx
6. 600ft Analog Rx
7. 1200ft Analog Rx
8. 1000ft DVI Rx

# Installation examples

## Daisy Chain with audio and bi-directional control



## Point to multi-point configuration

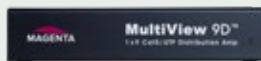
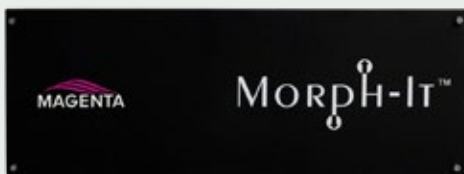


## MultiView family products

Morph-it:  
Powered chassis for high density Tx cards

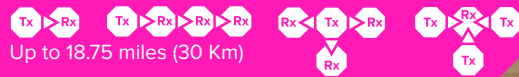
9D: nine port CAT DA

Mondo: expandable matrix up to 256 x 512





Topologies:



New York Stock Exchange (NYSE)

## Long range Fiber extension (Voyager Series)

Voyager guarantees high performance on both short and long hauls of uncompressed 1080p/60 video. Options include single-mode (up to 18.75 miles / 30 kilometers) and multi-mode (up to 6,600 feet / 2 Kilometers) even with RS-232 control and audio. Choose between flexible 4-port or slim 2-port compact form end points, with built in duplex daisy chaining for the ultimate flexibility.



A Modular building block means that you can deliver hundreds of different system configurations, all over fiber. Options include single mode and multi-mode mixing, four-port switchable endpoints and slim two-port compact endpoints, as well as analog to digital conversion, and a powered chassis for card based Tx's and Rx's. Oh and it can all be attached to a massive 1000+ port matrix.

\*HDCP compatible

### Voyager family products

VG-48x: 48 port modular matrix



Voyager CF-18 Rackmount system



USB 2.0 end points

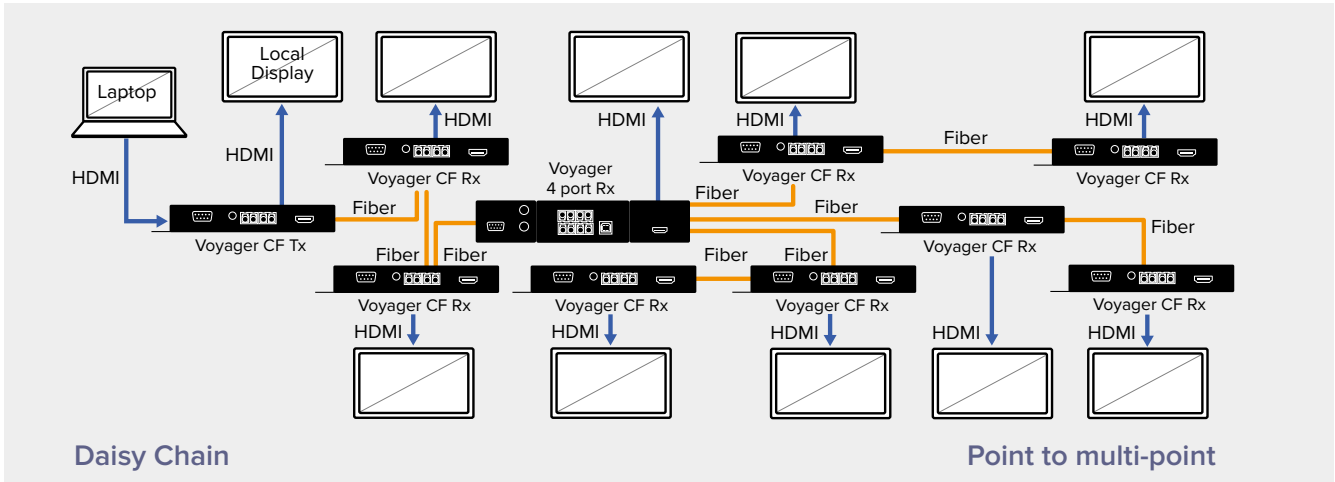
VG-160x: 160 port modular matrix with optional touch panel control



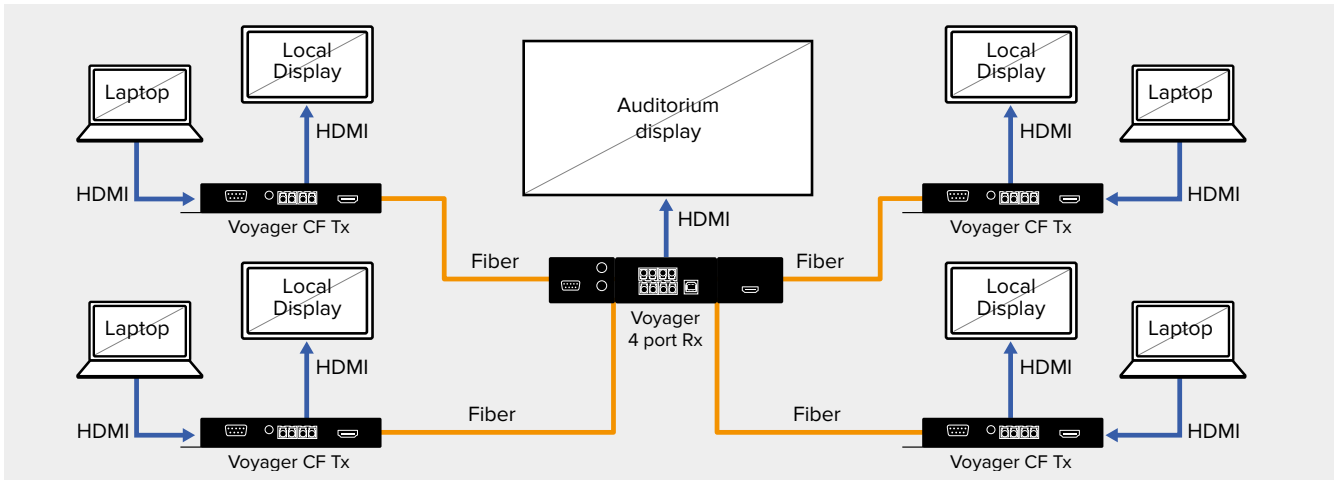


# Installation examples

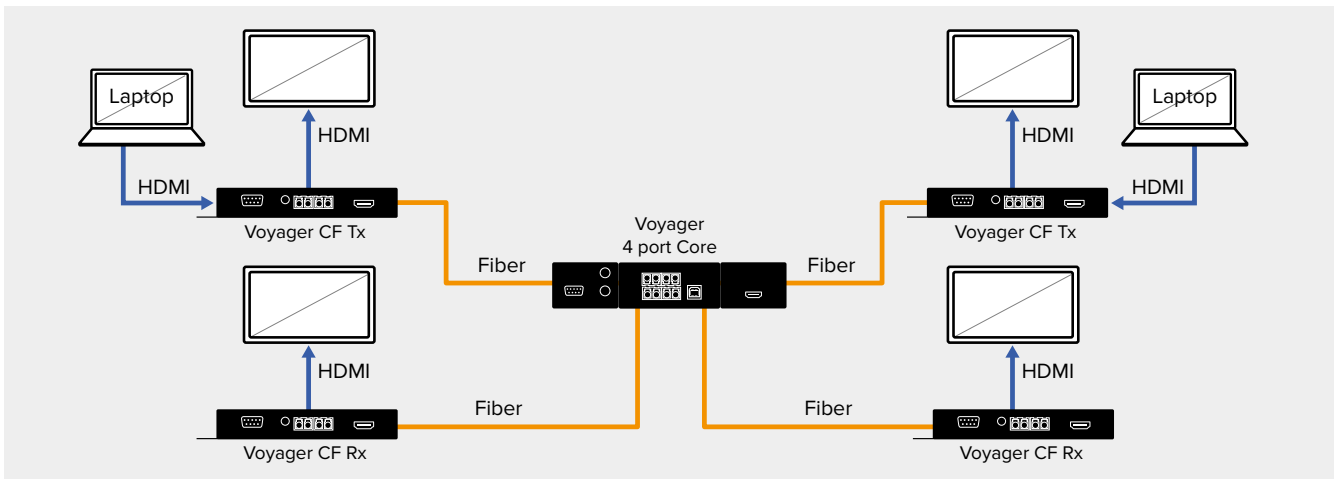
## Daisy Chain and point to multi-point



## Small switch

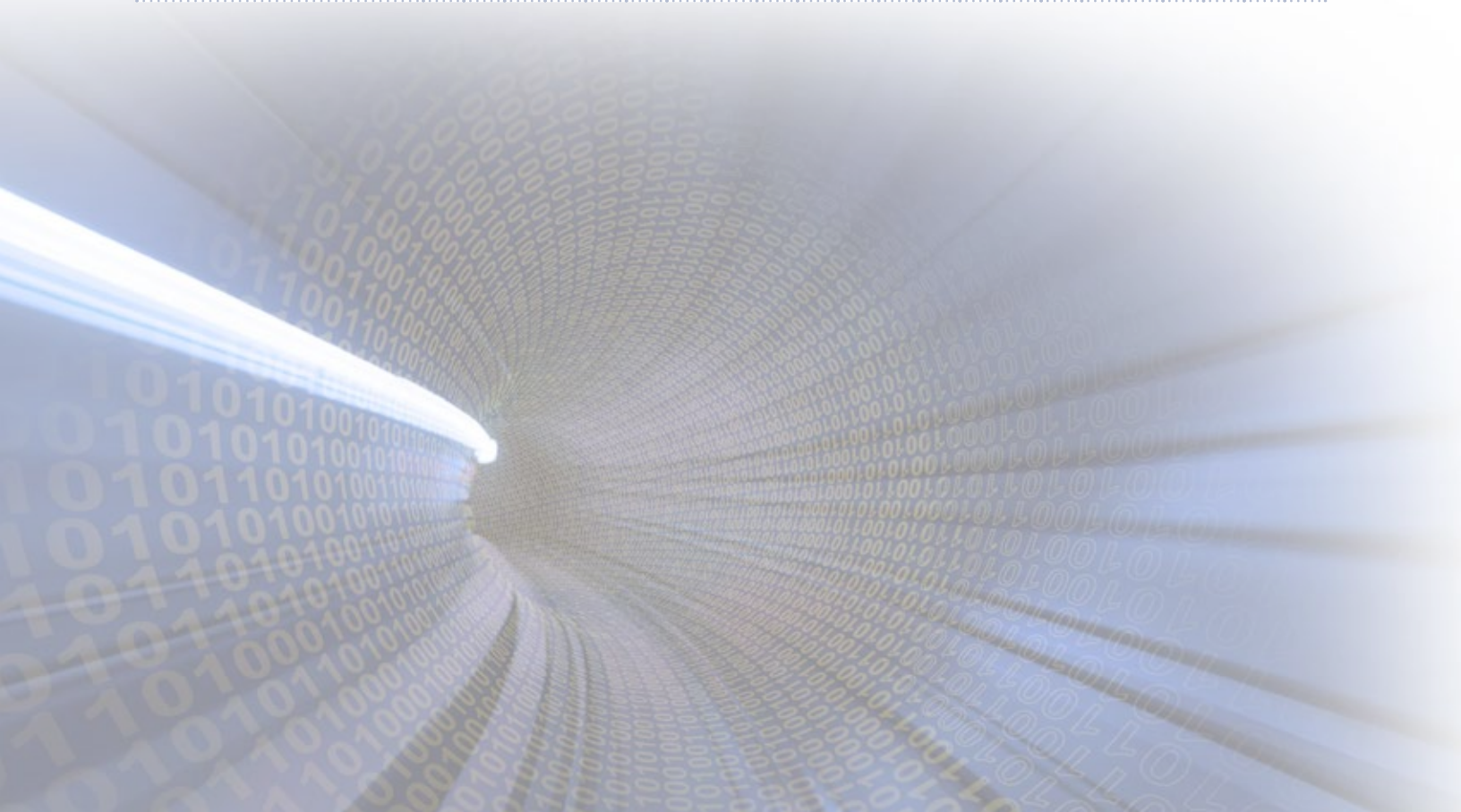


## Auto switch (listening ring)



## Feature comparison

	Signal			Control			POE	Resolution			Distance					Cable						
	HDMI	DVI	Analog	Infrared	RS-232	Ethernet		USB	1080p	UHD 4K	4K DCI	197 feet	230 feet	325 feet	500 feet	1200 feet	18.75 miles	CAT 5e	CAT 6	CAT 7	MM Fiber	SM Fiber
1T-CT-641/2	◆			◆				◆	◆	◆	◆							◆				
1T-CT-647	◆			◆				◆	◆	◆	◆							◆				
1T-CT-653/654A	◆			◆	◆	◆	◆	◆	◆	◆			◆					◆				
MG-WP-611 HD-One Wallplate	◆		◆	◆	◆		◆	◆	◆	◆		◆						◆				
MG-CT-612	◆		◆	◆	◆		◆	◆	◆	◆		◆						◆				
HD-One DX	◆							◆	◆	◆			◆				◆	◆	◆			
HD-One DX500	◆							◆					◆				◆	◆	◆			
HD-One LX	◆			◆	◆			◆	◆	◆			◆				◆	◆	◆			
HD-One LX500	◆			◆	◆			◆					◆				◆	◆	◆			
MultiView-II series	◆	◆	◆		◆			◆						◆			◆	◆				
Voyager series	◆		◆		◆		◆	◆							◆					◆	◆	
Encoder-100	◆							◆					*IP				◆	◆				
CORIO HDBT input module	◆		◆			◆		◆	◆	◆				◆			◆	◆				
CORIO HDBT output module	◆					◆		◆					◆				◆	◆				





## Product compatibility

### Medium range HDBaseT extenders

	1T-CT-642 ONEtask Rx	1T-CT-654A ONEtask 5-PLAY Rx	2211094-02 HD-One DX Rx	221122-01 HD-One DX500 Rx	2211096-02 HD-One LX Rx	221124-01 HD-One LX500 Rx	MG-CT-612 HD-One PoH Rx	CM-HDBT-2IN- 1ETH CORIO HDBaseT input module (Rx)
1T-CT-641 ONEtask Tx	◆							◆
1T-CT-647 ONEtask 7 Port Tx	◆							◆
1T-CT-653 ONEtask 5-PLAY Tx		◆						◆
2211093-02 HD-One DX Tx			◆				◆	◆
221121-01 HD-One DX500 Tx				◆				◆
2211095-02 HD-One LX Tx					◆		◆	◆
221123-01 HD-One LX500 Tx						◆		◆
MG-WP-611 HD-One Wall Plate	◆	◆	◆	◆	◆	◆	◆	◆
CM-HDBT-SC-2OUT-1ETH CORIO HDBaseT output module Tx	◆	◆	◆	◆	◆	◆	◆	

Note: Where HDBaseT and HDBaseT Lite are used together, range will be the distance for the lesser extension.

### MultiView II long range copper extenders

	2620006-03 600ft Analog Rx	2620009-03 1200ft Analog Rx	MVII-DVI-RX-1K-S/A 1000ft DVI Rx
2620001-02 Standard analog Tx	◆		
2620002-03 Analog extended range Tx	◆	◆	
2620003-02 Analog 4 port Tx	◆	◆	
2620050-02 Analog 8 port Tx	◆	◆	
2620063-02 DVI Tx	◆	◆	◆

MultiView is available in several variants which add other options:

- A: Summed Audio & configurable to the -S version
- S: Simplex RS-232 (transmit only) & configurable to the -A version
- SAP: Stereo Audio, Duplex RS-232 with addressable receivers

### Voyager long range fiber extenders

	221110-01 Compact Rx	2320008-01 HDMI 2 port Rx with scaling	2320017-01 HDMI 4 port Rx	2320018-01 HDMI 4 port Rx with scaling	2350201-MM USB 2.0 Rx
2211108-01 Compact Tx	◆	◆	◆	◆	
2310008-01 Analog 2 port Tx	◆	◆	◆	◆	
2310018-01 Analog 4 port Tx	◆	◆	◆	◆	
2310016-01 HDMI 4 port Tx	◆	◆	◆	◆	
2350500-MM USB 2.0 Tx					◆

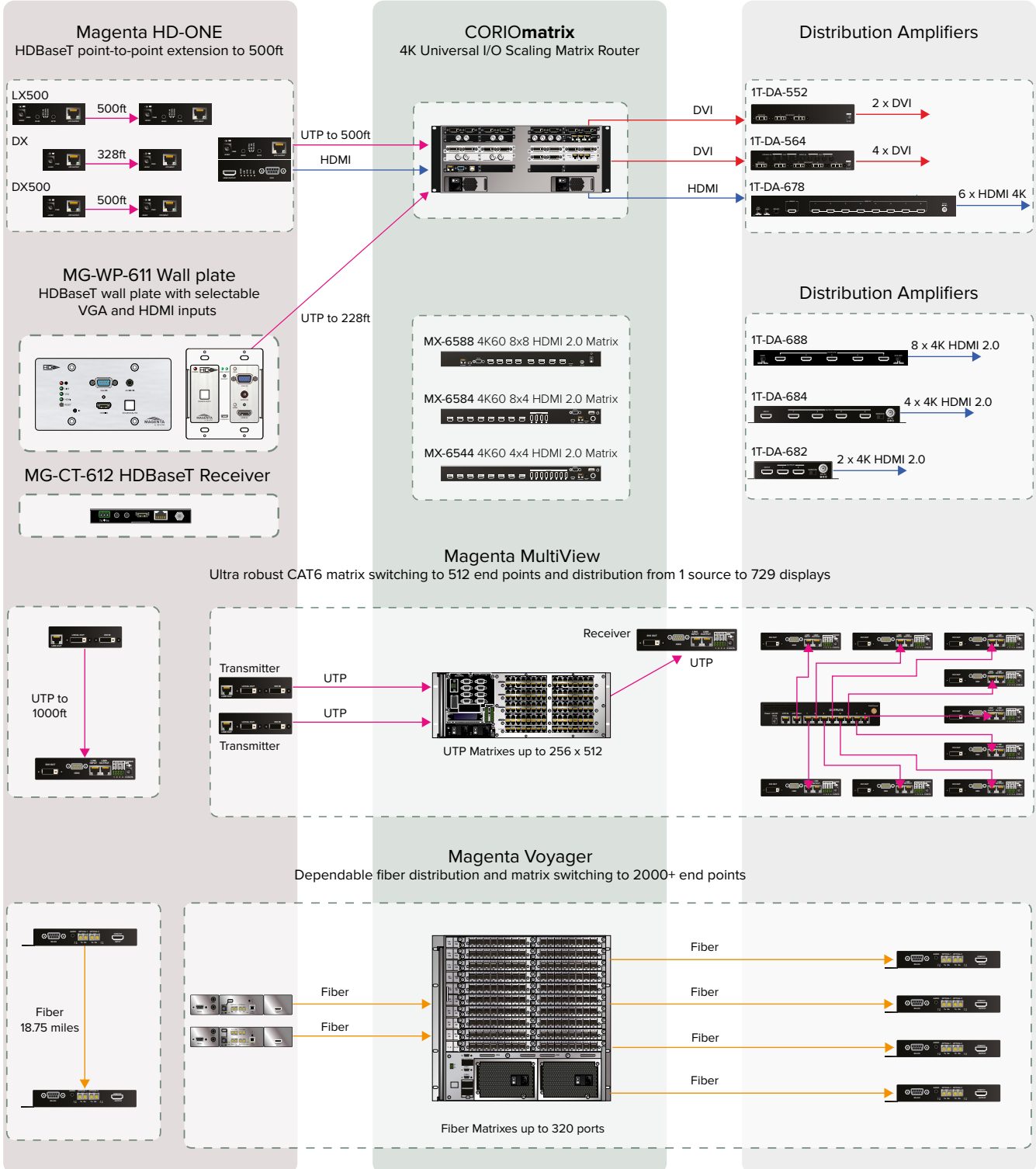
Voyager can be ordered with several options:

- Voyager can use Single or Multi Mode technology
- Compact Tx and Rx can also be ordered as cards for an 18 slot powered chassis

## EXTEND

## SWITCH

## DISTRIBUTE



Toll Free: 800-721-4044

sales@tvone.com

www.tvone.com