



Zenty | Professional A/V Solution Provider

User Manual



HDBaseT HDMI Type-C w/ USB & KVM function Wall Plate Extender Kit

ZT-201 | ZT-EXW200



ZENTY®
9807 EMILY LANE
STAFFORD, TX 77477
(844) 200-1945
SALES@ZENTY.COM

Table of Contents

- 1. Introduction3**
- 2. Key Features3**
- 3. Package Contents3**
- 4. Specifications3**
- 5. Product Dimension.....5**
- 6. Operation Controls and Functions5**
 - 6.1 Transmitter Panel5**
 - 6.2 Receiver Panel6**
- 7. Application Example8**
- 8. Maintenance8**
- 9. Warranty8**
- 10. Mail-In Service9**
- 11. Limited Warranty Limits and Exclusions.....9**

1. Introduction

The wall plate is a 2x1 switcher and HDBaseT transmitter with HDMI and USB-C input. It features a US one-gang enclosure for Decora-style wall plate openings with interchangeable black and white wall plates and faceplates. The USB-C input provides an ideal AV interface for connecting with new Apple notebooks and Windows® PCs as well as smartphones and tablets. Support video resolution up to 4K@60Hz 4:4:4. The product is remotely powered by the receiver or other HDBaseT-equipped devices via POE.

2. Key Features

- Compliant with HDMI 2.0b, HDCP 2.2 and DisplayPort 1.2a
- Support 18Gbps video bandwidth
- Video resolution up to 4K@60Hz 4:4:4
- HDBaseT output can extend video transmission distance up to 230ft / 70m for 1080P or 131ft / 40m for 4K via a single CAT6/6a/7 cable
- Support HDR10 and HDR10+
- Audio formats support Dolby Atmos, TrueHD, Digital+, Digital; DTS X, HD Master Audio, HD High Resolution Audio, 5.1; PCM 2-8Ch
- Support HDMI and USB-C input
- US one-gang enclosure for Decora-style wall plate openings
- Input signal selection supports automatic mode and manual mode
- USB2.0 extension with Receiver
- Support POE function (only from Receiver to Transmitter)
- With USB-C charging port
- Available in white or black coating

3. Package Contents

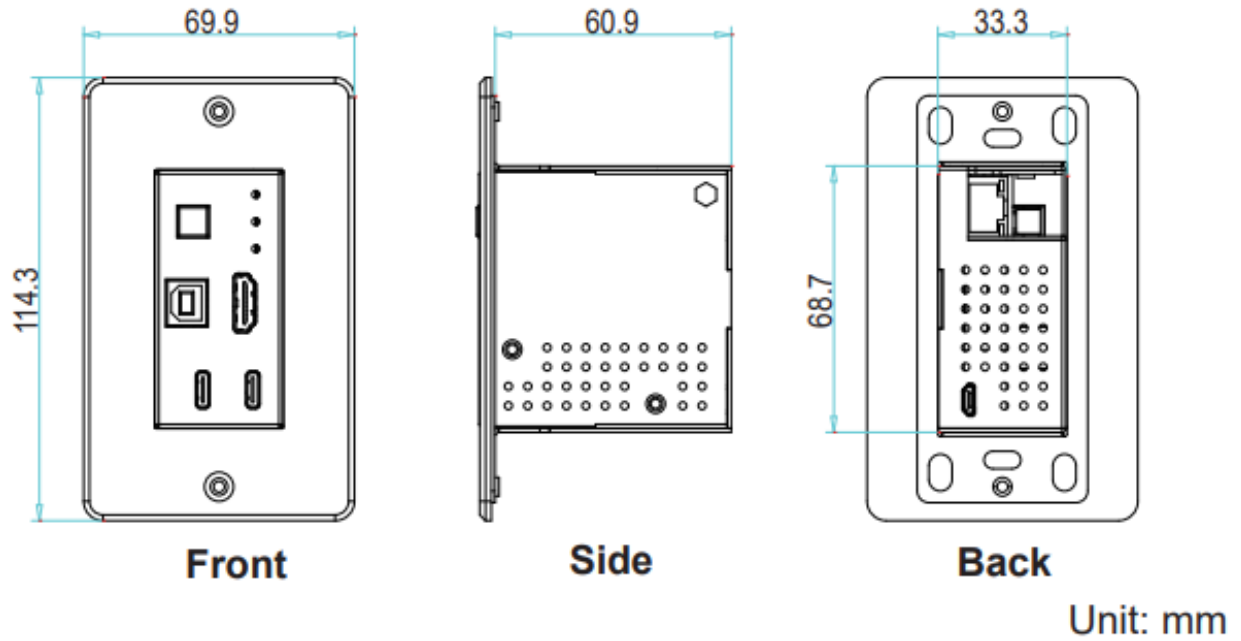
- 1x 18Gbps HDBaseT 70M with USB-C/HDMI & KVM Function Wall Plate Transmitter
- 1x Receiver
- 1x User Manual

4. Specifications

Technical:	
HDMI Compliance	HDMI 2.0b, DisplayPort 1.2a
HDCP Compliance	HDCP 2.2
Video Bandwidth	18Gbps
Video Resolution	4096x2160@24/25/30/50/60Hz, 3840x2160@24/25/30/50/60Hz,

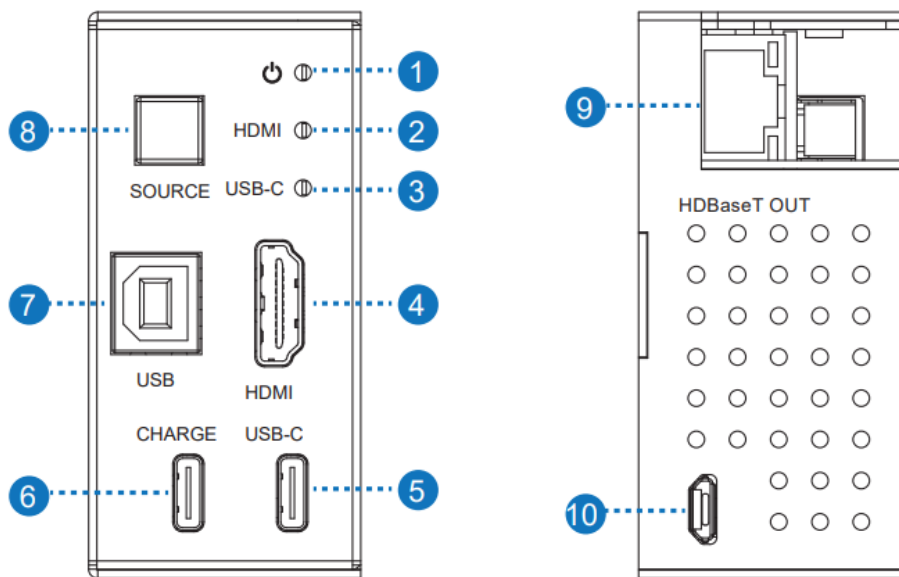
	2048x1080p@23.98/24/25/29.97/30/50/59.94/60Hz, 1080i@50/59.94/60Hz, 720p@50/59.94/60Hz, 576p, 576i, 480p, 480i
Color Space	RGB, YCbCr 4:4:4, YCbCr 4:2:2, YUB 4:2:0
Color Depth	8/10/12-bit
HDR	HDR10, HDR10+
HDMI Audio Formats	Dolby Atmos, TrueHD, Digital+, Digital; DTS-X, HD Master Audio, HD High Resolution Audio, 5.1; PCM 2-8Ch
Transmission Distance	Max distance (1080p): 230ft / 70m over CAT6/6a/7 Max distance (4K): 131ft / 40m over CAT6/6a/7
ESD Protection	Human body model - ±8kV (Air-gap discharge) & ±4kV (Contact discharge)
Connection:	
Transmitter	Inputs: 1 x HDMI Type A [19-pin female], 1 x USB-C Outputs: 1 x HDBaseT Out [RJ45, 8-pin female], 1 x USB-C (only for charging) Control: 1 x USB-B [Micro USB, Update port]
Receiver	Inputs: 1 x HDMI In [Type A, 19-pin female], 1 x HDBaseT IN [RJ45, 8-pin female] Outputs: 1 x HDMI Out [Type A, 19-pin female], 1 x Audio Out [Phoenix jack] Control: 2 x USB [USB-A Type], 1 x FW [Micro USB, Update
Mechanical:	
Housing	Metal Enclosure
Color	White/Black
Dimensions	Wall Plate: 33.3 [W] x 65.7 [D] x 68.7mm [H] Face Plate: 69.9mm [W] x 3mm [D] x 114.3mm [H] Receiver: 200mm [W] x 98mm [D] x 23mm [H]
Weight	Wall Plate: 196g, Receiver: 511g
Power Supply	PoE (only from receiver to transmitter)
Operating Temperature	32 – 104°F / 0 – 40°C
Storage Temperature	-4 – 140°F / -20 – 60°C
Relative Humidity	20 – 90% RH (no condensation)

5. Product Dimensions



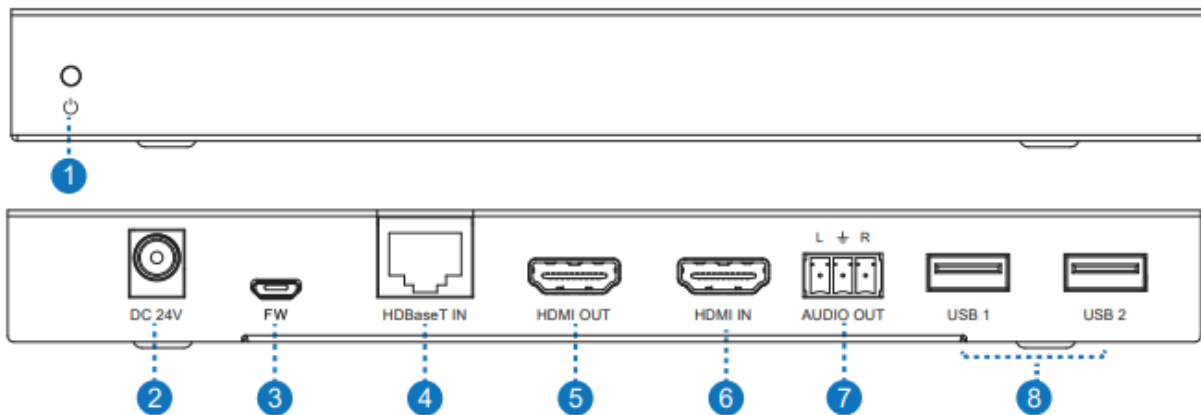
6. Operation Control and Functions

6.1 Transmitter Panel



No.	Name	Function Description
1	Power LED	The power LED indicator will illuminate in green when the product is powered on, and red when the product is on standby.
2	HDMI LED	When the HDMI input port is active and the HDMI signal is detected, the green LED will be on.
3	USB-C LED	When the USB-C input port is active and USB-C signal is detected, the green LED will be on.
4	HDMI port	HDMI input port, connect to HDMI source device.
5	USB-C port	(1) USB-C signal input port. (2) Charging port for devices with USB-C port.
6	CHARGE port	Connect this port to power supply, then the USB-C port will power the connected device.
7	USB-B port	Connect to the computer's USB port.
8	SOURCE button	Used to switch HDMI / USB-C input signal.
9	HDBaseT OUT	Connect to the HDBaseT IN port of Receiver with a CAT6/6a/7 cable.
10	Micro-USB	Firmware update port.

6.2 Receiver Panel

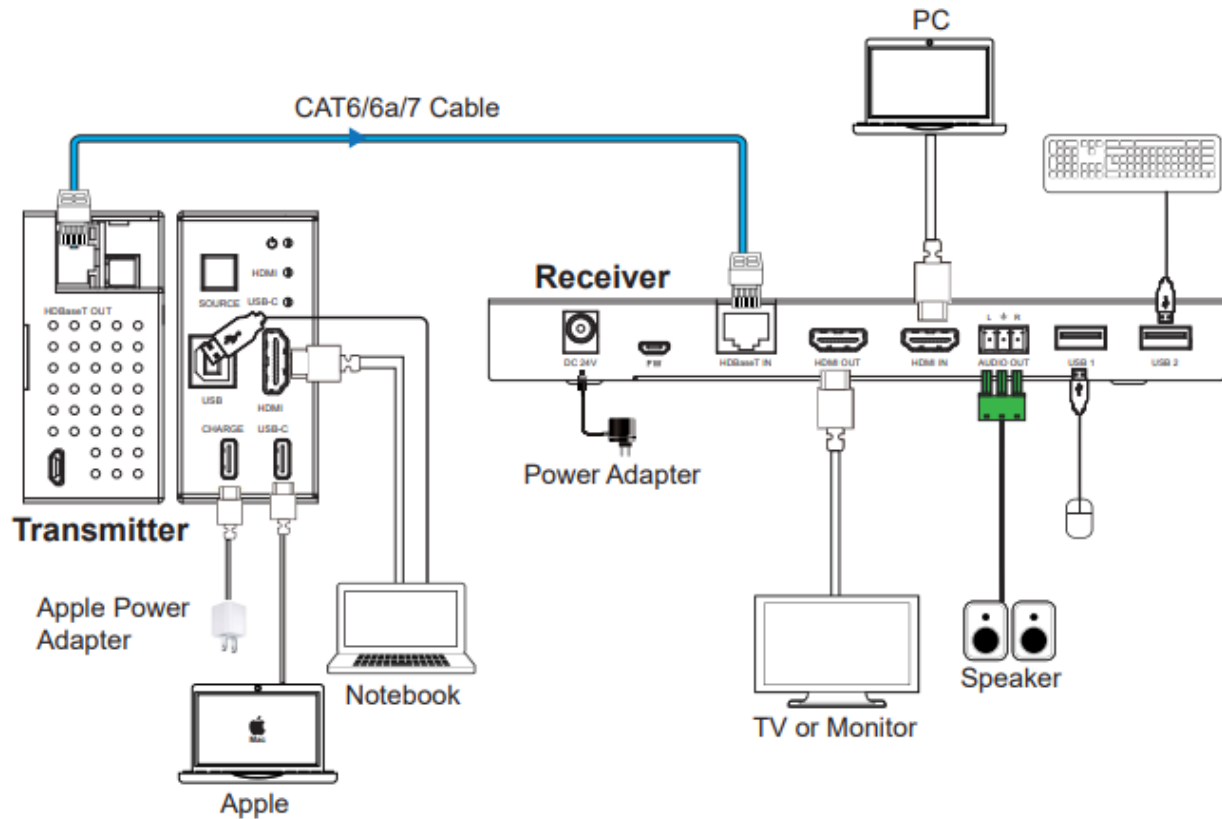


No.	Name	Function Description
1	Power LED	When the product is powered on, the red LED indicator will be on.
2	DC 24V	DC 24V power supply port.
3	FW	Firmware update port.
4	HDBaseT IN	Connect to the HDBaseT OUT port of Transmitter with a CAT6/6a/7 cable.
5	HDMI OUT	HDMI output port, connect to HDMI display device.
6	HDMI IN	HDMI input port, connect to HDMI source device.
7	AUDIO OUT	Analog audio output port.
8	USB port	Two USB ports for KVM function.

Note:

This transmitter supports automatic/manual mode for source signal input. In manual switching mode, press the SOURCE button to select HDMI/ USB-C input source. In automatic switching mode, the last connected or the currently connected source signal will be selected automatically; When both HDMI and USB-C ports are connected to active signal, HDMI signal input is preferred; When both HDMI and USB-C ports are not connected to active signal, it will switch to the source signal of the Receiver.

7. Application Example



8. Maintenance

Clean this unit with a soft, dry cloth. Never use alcohol, paint thinner, or benzene to clean.

9. Warranty

If your product does not work properly because of a defect in materials or workmanship, our company (referred to as “the warrantor”) will, for the length of the period indicated as below, “Parts and Labor (18) Months”, which starts with the date of original purchase (“Limited Warranty period”), at its option either (a) repair your product with new or refurbished parts, or (b) replace it with a new or a refurbished product. The decision to repair or replace will be made by the warrantor.

During the “Labor” limited warranty period, there will be no charge for labor. During the “Parts” warranty period, there will be no charge for parts. You must mail-in your product during the warranty period. This Limited Warranty is extended only to the original purchaser and only covers products purchased as new. A purchase receipt or other proof of original purchase date is required for Limited Warranty service.

10. Mail-In Service

When shipping the unit, carefully pack and send it prepaid, adequately insured, and preferably in the original carton. Include a letter detailing the complaint and provide a day time phone and/or email address where you can be reached.

11. Limited Warranty Limits and Exclusions

This Limited Warranty ONLY COVERS failures due to defects in material or workmanship, and DOES NOT COVER normal wear and tear or cosmetic damage. The Limited Warranty ALSO DOES NOT COVER damages which occurred in shipment, or failures which are caused by products not supplied by warrantor, or failures which result from accidents, misuse, abuse, neglect, mishandling, misapplication, alteration, faulty installation, set-up adjustments, mis-adjustment of consumer controls, improper maintenance, power line surge, lightning damage, modification, or service by anyone other than a Factory Service center or other Authorized Servicer, or damage that is attributed to acts of God.

THERE ARE NO EXPRESS WARRANTIES EXCEPT AS LISTED UNDER “LIMITED WARRANTY COVERAGE”. THE WARRANTOR IS NOT LIABLE FOR INCIDENTAL OR CONSEQUENTIAL DAMAGES RESULTING FROM THE USE OF THIS PRODUCT, OR ARISING OUT OF ANY BREACH OF THIS WARRANTY. (As examples, this excludes damages for lost time, cost of having someone remove or re-install an installed unit if applicable, travel to and from the service, loss of or damage to media or images, data or other recorded content. The items listed are not exclusive, but are for illustration only.) PARTS AND SERVICE, WHICH ARE NOT COVERED BY THIS LIMITED WARRANTY, ARE YOUR RESPONSIBILITY.



WWW.ZENTY.COM
9807 EMILY LANE
STAFFORD, TX 77477

(844) 200-1945
SALES@ZENTY.COM